

# Knürr Synergy

*The Product Family For Uniform Equipment In Your Control Room*



# Knürr Synergy

**Knürr offers a product family for uniform equipment and furnishing in the control room in a full-coverage modern design.**

In **Knürr SynergyConsole®** and **Knürr SynergyWall®** unmistakable design elements complement one another to provide user-oriented technology.

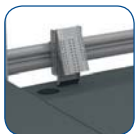
Everything functions as if from one single cast, and rounds off the image of a modern control or measuring station.

The modern **Knürr Synergy** control room concept actively contributes to **increased efficiency** through better attentiveness. Less fatigue and full employee concentration are the requirements for effective working in safety-relevant areas.

The well-balanced contouring of the **Knürr SynergyConsole®** offers ideal dimensions for monitor workstations and supports the cockpit arrangement of flat screens.

The Synergy-Console product family provides a unique offer. From our slim, height-fixed version for space-saving use of KVM-technology, through the manually height-selectable single workstations which conform to changing requirements, to the comfortable power-operated height-adjustable console desk to constantly guarantee ideal working conditions for changing users and finally **Synergy 4D** for highest standards in every dimension.

## Product Details Synergy 4D



**35 degree tilting pivot monitor brackets**



**Ideal integration of 19" components into the 19" compartment below the monitors**



**Piezo-sensory collision protection**



**Ergonomically shaped desk tops adjustable in height und depth (desk height: 650 mm to 1250 mm)**



SYN20167

**Large cable chains accessible from the inside**

## Ergonomics in 4 dimensions

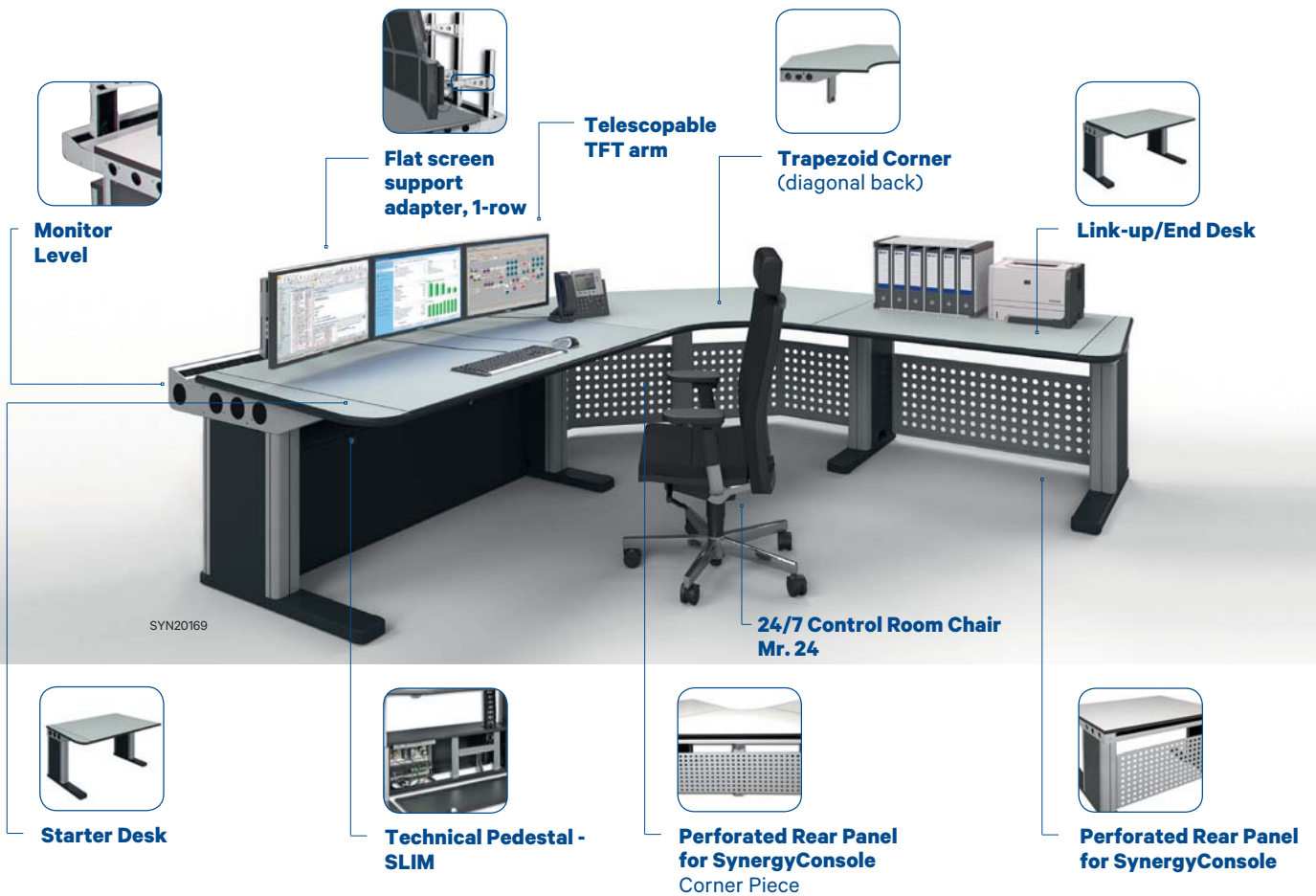
- **1D:** stepless desk height adjustment from 650 mm to 1250 mm
- **2D:** worktop depth adjustment up to 150 mm provides the perfect viewing distance and individual leg space
- **3D:** 300 mm height-adjustment for monitors
- **4D:** patented pivot range of monitors up to 35°, infinitely variable without an additional motor



SYN20168

**Matching SynergyWall for large display technology**

## Product Details SynergyConsole



## Product Details Synergy Advanced



### Perfect Protection enabled by Anti-Collision Technology

Discover a new dimension of **collision protection for height-adjustable control station desks!**

The new sensor is directly built into the drive and completely integrated into the electromotive lifting column. The piezo sensor reacts to any obstacle. The movement is stopped within milliseconds and the desk will return to a safe position.

Our new, hardware based anti-collision solution is more sensitive and reacts faster to obstacles than any known software based systems.

# Knürr Synergy

## Knürr SynergyConsole®

Strong points	4
Workstation system	6
Configurations	8
Single Desk	10
Starter Desk	14
Link-up/End Desk	16
Middle Link-up Desk	18
Add-on Desk – Long Stabilizer	20
Add-on Desk – Short Stabilizer	22
Corner Piece	24
Winglets	25

## Knürr Synergy Advanced 26

## Accessories 28

## Knürr Synergy 4D 34

## Knürr SynergyWall®

Strong points	36
Basic Frame	37
Height-adjustable	
Videowall frames	37
Side Panel	38
Cross Support	38
Monitor Holder	39
Thin Client Fixing Bracket	39

## Knürr SynergyConsole® Strong points

### Standards compliance and ergonomics

The fully compliant ergonomic leg space enables free movement of the chair in the link-up area. Spacious 1000 mm desk depth for placing large monitors. Compliance with the latest standards and specifications:

- Manually height-selectable single desks (650 – 850 mm)
- Electric height-adjustable, from 650 to 1250 mm

### Height-Fixed and Height-Selectable Basic Models

For best ergonomics, the working height of the height-fixed version is 750 mm. The working height of the manually height-selectable single desks can be adjusted by locking bolts between 650 mm and 850 mm. Our consoles will be delivered adjusted to 750 mm ex works and can later be adjusted at any time.



SYN20041

### Electric sit-stand setting

- Height can be adjusted between 650 mm and 750 mm while operating silently and continuously
- Stepless height adjustment and quiet lifting mechanism
- Individually programmable height positions for various users
- Intermediate stop and slow mode when nearing end position

- Overload protection with individual current limiting
- Anti-Collision: Perfect protection for users and objects in the travel range! Modern piezo technology reacts immediately to touch

### Ergonomic and robust desktop edge

- Warm synthetic materials ensure a pleasant surface temperature to positively influence the user's sensation and perception on touching and seeing the surface
- Durable and robust materials ensure long service life
- The solid-colored material precludes visible damage

### Ergonomically designed worktop shape

- The worktop specially designed for the Knürr SynergyConsole® sit-stand model provides ideal dimensions for monitor workstations and supports the cockpit arrangement of desk monitors

### Material mix synergies

Modern HPL-desk top coatings, optional in Nano quality, and the ErgoEdge desk edge create a pleasantly warm surface and therefor contribute to the well-



SYN20031





SYN20033



SYN20029



SYN20032

being of employees. The interface to the technology feature robust aluminum and sheet steel to guarantee reliability and failure safety. The durable plastic cap as the stabilizer foot's end piece protects footwear and the stabilizer foot's surface coating, as it is made of a robust but sufficiently soft material. The Knürr SynergyConsole®'s exceptional eco-balance is clearly evident as all materials can be separated and recycled.

#### ■ Cable routing

- The side covers of the desk side panels and the front and rear covers of the technical pedestal can be completely removed for cabling and installing equipment and devices
- Hidden and dust-protected cable entry from the monitor right into the technical pedestal
- Separate horizontal and vertical cable routing in cable basket trays and cable routing rings
- Cable duct bottom cover opening from the raised floor into the technical pedestal or into the side panels
- Spacious cable tray under the worktop for housing socket strips, switches and KVM extenders
- Cable chain pre-integrated into the sit-stand version in a side panel
- Spacious, two-way cable chain with separator available for additional cable routing between technical pedestal and cable

trough; can also be mounted on the perforated rear panel

#### ■ Flat screen adaption

- The docked monitor level with cover for fixing flat screen holders provides space for additional equipment and cables
- Also accessible with wall positioning
- The ergonomic monitor connection with depth-adjustable flat screen arms exclusively designed for the Knürr SynergyConsole® guarantees optimum viewing distances to the monitors
- Freely positionable monitor columns for horizontal setting
- Freely positionable heights for flat screen arms on the monitor columns

#### ■ Spacious technical pedestal

- Excellent accessibility with removable front and rear covers
- For accepting 19" frames,

mounting braces, chassis rails, computers and further equipment with full legroom in the width and depth

- Cables can be routed via the cable basket tray to the side panels through generously dimensioned outlets – separated for data and power supply
- The mounting braces enable the individual connection of non-standard equipment

#### ■ Modular construction

Industrially produced modules can be upgraded and added to at all times; available to buy for many years to come. All installation modules are suitable for both the basic version and the sit-stand version.



SYN20169

## Knürr SynergyConsole® Workstation System

### Side panels

- The combination of interconnecting aluminum extrusions is the basis for the variable desk heights
- The side parts of the height-fixed version offer a maximum of stability due to direct and extensive bolting of the vertical profiles with the steel side part elements
- Height setting in the basic version is manual via locking bolts
- The electric-adjustable sit/stand version is fitted with 4 lifting columns
- Easy to remove sheet steel covers ensure good accessibility to cabling and lifting columns
- Welded stable sheet steel stabilizer feet for optimum stability
- Short stabilizer feet on the link-up desks enable maximum leg space

### Desk tray

- The spaciouly dimensioned sheet steel desk tray under the worktop ensures high stability and provides plenty of space for switches, cables and power supplies
- Good accessibility via the side panels, from the rear, front and below via cut-outs
- Optional 19"-2HE mounting frames for fixed installation of 19" components in the back part
- Connection option for a spacious cable chain, left and right
- With cover at the rear including brush strip for dust protected and out-of-view cabling (not required with mounted monitor level)
- with covers for the access openings in the front

### Worktops

Worktops with the tried, tested and proven ErgoEdge impact edge with HP laminate surfaces enable high load ratings and ensure a long console desk service life.

Single worktops or worktops with 70 mm lowered monitor level, depth 400 mm.

### Finish

Basic frames:  
Vertical extrusions on the side panels, desk tray, worktop stabilizers, monitor level, monitor columns and flat screen holders:  
RAL 9006 white aluminum  
Covers, stabilizer feet and foot caps: RAL 7021 dark gray  
ErgoEdge impact edge and veneer in RAL 7021 dark gray  
Worktops:  
.1: Worktop coating in RAL 7035 light gray  
.5: Worktop coating in beech design  
.9: Worktop coating in basalt gray

Replace „x“ with the number of your color choice

### Material

- Vertical supports on the side panels, monitor level and monitor columns, extruded aluminum, powder-coated
- Covers, stabilizer feet, desk tray and flat screen holders sheet-steel, powder-coated.
- Plastic impact protection caps
- Worktop: Three layer particle board, FP / Y E1 version, fire protection class B2
- Worktop coating: High pressure plastic laminate

### Load rating

1500 N (static surface load)  
Electric height-adjustable version: 1200 N (static surface load)

### Standards

- DIN EN 527 office furniture, office workstations (Limited minimum height for desks with lowered monitor level possible)
- DIN EN ISO 11064 ergonomic design of control centers
- DIN 68761 for worktops

- EN 438 HGS class for high pressure plastic laminate
- DIN Technical Report 147 – Requirements and tests of office furniture – Guideline for the security requirements on work tables and storage furniture in Germany

### Link-up system

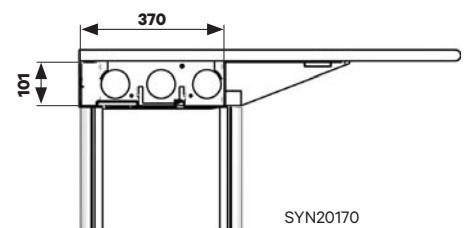
Always start connecting from the outside left with starter desk. Add the modules you want as required.

### Please note:

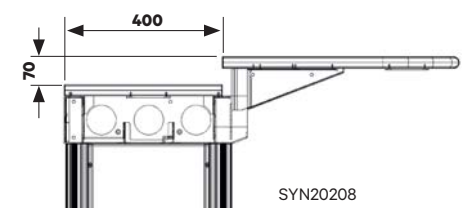
Electrically height-adjustable desks can be linked optionally.



SYN20205

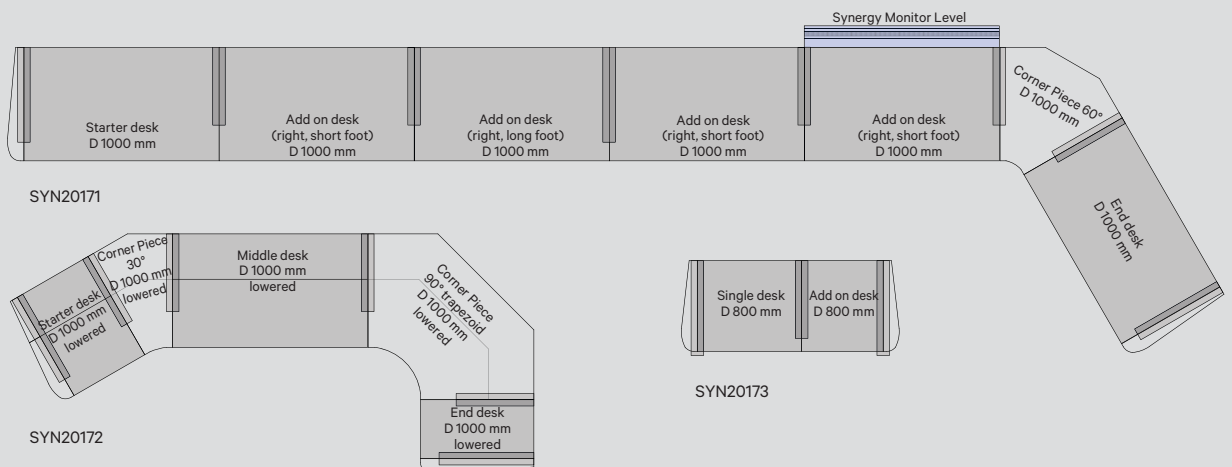


Mounting space beneath the worktop





## Linked SynergyConsole







SYN20174

Shown with accessories incurring an additional charge

## SYNERGY Single Operator Console, height adjustable

With lowered monitor worktop and docked monitor level

- Dimensions**  
WxD 1985x1190mm
- Worktop height**  
720-920mm (manually adjustable)  
720-1320mm (electrically adjustable)
- Finish**  
See footnote

- Equipment**
  - 1x desk, height selectable or electrically height adjustable with recessed monitor surface and with storage tray under tabletop
  - 1 x docked monitor level
  - 3x Flat screen support with telescopic TFT arm
  - 1x technical pedestal with cable chain

Version	Order no.	UP
Manually height selectable	<b>04.411.200.x</b>	1 unit
Electrically height adjustable	<b>04.411.202.x</b>	1 unit



SYN20169

Shown with accessories incurring an additional charge

## SYNERGY Multiple Operator Console, fixed height

- Dimensions**  
WxD 3480x4130mm
- Worktop height**  
750mm
- Finish**  
See footnote

- Equipment**
  - 1x desk, W 1520 mm with storage tray (2HU) under tabletop
  - 1x trapezoidal corner
  - 1x desk W 1120 mm
  - 1x docked monitor level
  - 3x Flat screen support with telescopic TFT arm
  - 1x technical pedestal with cable chain
  - 1x perforated rear panel at corner desk
  - 1x perforated rear panel at small desk

Version	Order no.	UP
Fixed height	<b>04.416.210.x</b>	1 unit



SYN20176

Shown with accessories incurring an additional charge

## SYNERGY Single Operator Console, fixed height

- Dimensions**  
WxD 2205 x 1000mm
- Worktop height**  
750mm
- Finish**  
See footnote

- Equipment**
  - 1x desk, W 2205 mm with storage tray (2HU) under tabletop
  - 1x monitor rail, curved
  - 4x Flat screen support short, type D

Version	Order no.	UP
Fixed height	<b>04.416.200.x</b>	1 unit

Dimensions in mm: W = Width  
H = Height  
D = Depth  
h = Installation height  
d = Usable depth  
L = Length

HEA = electronically height adjustable  
HA = height-adjustable

UP = Unit of packaging  
kg = Weight

Conversion: 1 inch = 25,4 mm  
Replace „x“ with the number of your color choice





SYN20175

Shown with accessories  
incurring an additional charge

## SYNERGY Advanced Operator Console, height adjustable

### ■ Dimensions

WxD 2400 x 1000 mm

### ■ Worktop height

650 – 1250 mm  
(electrically adjustable)

### ■ Finish

See footnote

### ■ Equipment

- 1x desk, electrically height adjustable with storage tray (2HU) under tabletop
- 1x Flat screen holder frame for center display 58"
- 2x Flat screen support type G for 27" portrait mode
- 1x perforated rear panel below worktop

Version	Order no.	UP
Electrically height adjustable	<b>04.411.207.x</b>	1 unit



SYN20177

Shown with accessories  
incurring an additional charge

## SYNERGY Synergy 4D Operator Console with Video Wall, Theater Solution

### ■ Dimensions

Desk: WxD 3216 x 1200 mm  
Videowall: WxD 1233 x 400 mm

### ■ Worktop height

Desk and videowall 650 – 1250 mm  
(electrically adjustable)

### ■ Finish

See footnote

### ■ Equipment

- 1x desk, Synergy 4D, electrically height adjustable
- With depth adjustable tabletop (150mm)
- With 2x 4HU compartment below monitor level
- With perforated rear panel below worktop
- With height adjustable monitor rail (300mm), rail with 4x pivot adapters for tilting monitors
- 1x Videowall for 1x display with max. VESA 800x400, 140kg, synchronized height adjustment of desk and Videowall
- Videowall with storage tray under tabletop

Version	Order no.	UP
Electrically height adjustable	<b>04.411.209.x</b>	1 unit

ErgoEdge impact edge and veneer in RAL 7021 dark gray

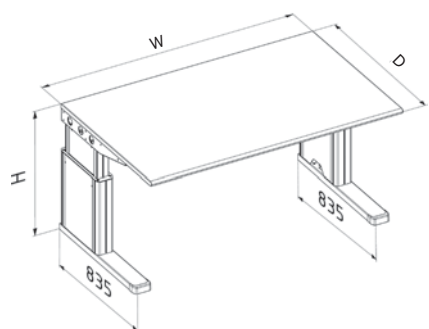
#### Worktops:

- .1: Worktop coating in RAL 7035 light gray,
- .5: Worktop coating in beech design
- .9: Worktop coating in basalt gray

## Knürr SynergyConsole® Single Desk Height-selectable



SYN20092



SYN20090

- As single desk
- Provides full length stabilizer feet for the highest possible anti-tilt and stability
- Easy set desk heights via bolt locking in the side panels
- Intelligent and concealed cable management
- Patented ErgoEdge desk front edge provides a pleasant surface temperature
- Modularity: Installation option for perforated rear panel, technical pedestal or monitor level
- Plenty of room for cables, switches and power supplies in the generously dimensioned desk tray
- With cover at the rear including brush strip for dust protected and out-of-view cabling (cover not required with mounted monitor level)

### Material

- Extruded aluminum side panel vertical supports, powder-coated
- Sheet steel covers, stabilizer feet, desk tray and worktop stabilizer, powder-coated
- Plastic impact protection caps
- Worktop: 30 mm three layer particle board, FP / Y E1 version, fire protection class B2
- Worktop coating: High pressure plastic laminate
- Plastic ErgoEdge desk front edge

### Finish

- Basic frames:  
Side panel vertical extrusions, desk tray and worktop stabilizer: RAL 9006 white aluminum  
Covers, stabilizer feet and foot caps: RAL 7021 dark gray  
Worktops:  
.1: Worktop coating in RAL 7035 light gray, ErgoEdge impact edge and veneer in RAL 7021 dark gray  
.5: Worktop coating in beech design, ErgoEdge impact edge and veneer in RAL 7021 dark gray  
.9: Worktop coating in basalt gray, ErgoEdge impact edge and veneer in RAL 7021 dark gray  
Replace „x“ with the number of your color choice

### Load rating

1500 N (static surface load)

### Height setting range

H: 650 mm to 850 mm

### Supply schedule

- 1 worktop
- 2 side panels with worktop stabilizer and long stabilizer feet
- 1 desk tray with rear cover
- Mounting material

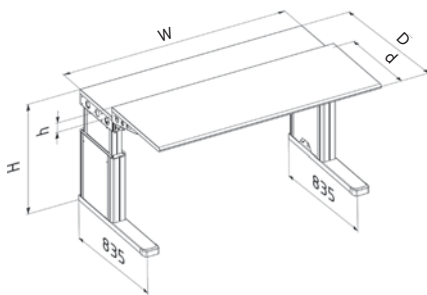
### How supplied

Preassembled modules

D	W	Order no.	UP
800	633	04.413.010.x	1 unit
800	833	04.413.011.x	1 unit
800	1033	04.413.012.x	1 unit
800	1233	04.413.013.x	1 unit
800	1433	04.413.014.x	1 unit
800	1633	04.413.015.x	1 unit
800	1833	04.413.016.x	1 unit
800	2033	04.413.017.x	1 unit
1000	633	04.413.110.x	1 unit
1000	833	04.413.111.x	1 unit
1000	1033	04.413.112.x	1 unit
1000	1233	04.413.113.x	1 unit
1000	1433	04.413.114.x	1 unit
1000	1633	04.413.115.x	1 unit
1000	1833	04.413.116.x	1 unit
1000	2033	04.413.117.x	1 unit

Dimensions in mm: W = Width  
H = Height  
D = Depth  
h = Installation height  
d = Usable depth  
L = Length  
HEA = electronically height adjustable  
HA = height-adjustable  
UP = Unit of packaging  
kg = Weight

Conversion: 1 inch = 25,4 mm  
Replace „x“ with the number of your color choice



SYN20089

## Knürr SynergyConsole® Single Desk Height-selectable with lowered monitor surface

- As single desk
- Provides full length stabilizer feet for the highest possible anti-tilt and stability
- Easy set desk heights via bolt locking in the side panels
- Split worktop with ErgoEdge desk front edge
- Monitor level 70 mm lowered
- Monitor level depth: 400 mm
- Intelligent and concealed cable management
- Patented ErgoEdge desk front edge provides a pleasant surface temperature
- Modularity: Installation option for perforated rear panel, technical pedestal or monitor level
- Plenty of room for cables, switches and power supplies in the generously dimensioned desk tray
- With cover at the rear including brush strip for dust protected and out-of-view cabling (cover not required with mounted monitor level)

### Material

- Extruded aluminum side panel vertical supports, powder-coated
- Sheet steel covers, stabilizer feet, desk tray and split worktop stabilizer, powder-coated
- Plastic impact protection caps
- Worktops: 30 mm three layer particle board, FP / Y E1 version, fire protection class B2
- Worktop coating: High pressure plastic laminate
- Plastic ErgoEdge desk front edge

### Finish

Basic frames:  
Side panel vertical extrusions, desk tray and split worktop stabilizer:  
RAL 9006 white aluminum  
Covers, stabilizer feet and foot caps:  
RAL 7021 dark gray  
Worktops:  
.1: Worktop coating in RAL 7035 light gray, ErgoEdge impact edge and veneer in RAL 7021 dark gray  
.5: Worktop coating in beech design, ErgoEdge impact edge and veneer in RAL 7021 dark gray  
.9: Worktop coating in basalt gray, ErgoEdge impact edge and veneer in RAL 7021 dark gray  
Replace „x“ with the number of your color choice

### Load rating

1500 N (static surface load)

### Height setting range

H: 650 mm to 850 mm  
Monitor level  
h: 70 mm

### Supply schedule

1 worktop  
1 worktop for lowered level  
2 side panels with long stabilizers feet and with split worktop stabilizers.  
1 desk tray with rear cover  
Mounting material

### How supplied

Preassembled modules

D	W	d	Order no.	UP
1000	633	600	<b>04.413.310.x</b>	1 unit
1000	833	600	<b>04.413.311.x</b>	1 unit
1000	1033	600	<b>04.413.312.x</b>	1 unit
1000	1233	600	<b>04.413.313.x</b>	1 unit
1000	1433	600	<b>04.413.314.x</b>	1 unit
1000	1633	600	<b>04.413.315.x</b>	1 unit
1000	1833	600	<b>04.413.316.x</b>	1 unit
1000	2033	600	<b>04.413.317.x</b>	1 unit

## INFO

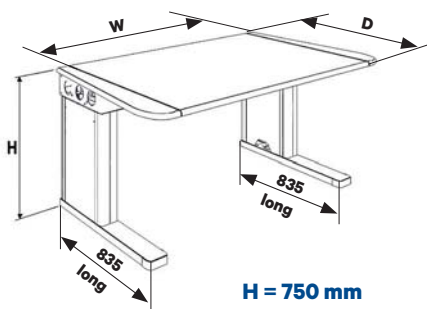
### Nano-surface:

Do not hesitate to ask for a **modern nano-surface** with a **minimal degree of reflection** and **appealing design**.





syn20126



syn20150

## Knürr SynergyConsole® Single Desk Height fixed

- As link-up or as single desk
- Both side parts with long foot stabilizers
- Provides full length stabilizer feet for the highest possible anti-tilt and stability
- Fixed Height version
- Intelligent and concealed cable management
- Side elements fully usable for vertical and lateral cabling
- Patented ErgoEdge desk front edge provides a pleasant surface temperature
- Modularity: Installation option for perforated rear panel, technical pedestal or monitor level
- Plenty of room for cables, switches and power supplies in the generously dimensioned desk tray
- With cover at the rear including brush strip for dust protected and out-of-view cabling (cover not required with mounted monitor level)

### Material

- Extruded aluminum side panel vertical supports, powder-coated
- Sheet steel covers, stabilizer feet, desk tray and worktop stabilizer, powder-coated
- Plastic impact protection caps
- Worktop: 30 mm three layer particle board, FP / Y E1 version, fire protection class B2
- Worktop coating: High pressure plastic laminate
- Plastic ErgoEdge desk front edge

### Finish

Basic frames:

Side panel vertical extrusions, desk tray and worktop stabilizer: RAL 9006 white aluminum  
Covers, stabilizer feet and foot caps: RAL 7021 dark gray  
Worktops:  
.1: Worktop coating in RAL 7035 light gray, ErgoEdge impact edge and veneer in RAL 7021 dark gray  
.5: Worktop coating in beech design, ErgoEdge impact edge and veneer in RAL 7021 dark gray  
.9: Worktop coating in basalt gray, ErgoEdge impact edge and veneer in RAL 7021 dark gray  
Replace „x“ with the number of your color choice

### Load rating

1500 N (static surface load)

### Worktop Height

H: 750 mm

### Supply schedule

1 worktop  
Worktop end element l/r  
2 side panels with worktop stabilizer and long stabilizer feet  
1 desk tray with rear cover  
Plastic plug, black l/r  
Mounting material

### How supplied

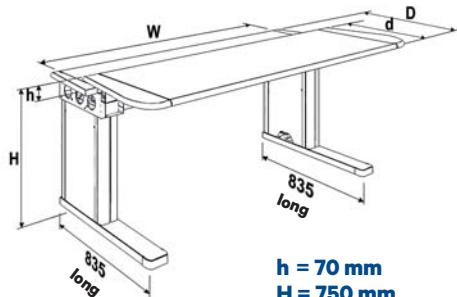
Preassembled modules

D	W	Order no.	UP
800	520	04.416.010.x	1 unit
800	720	04.416.011.x	1 unit
800	920	04.416.012.x	1 unit
800	1120	04.416.013.x	1 unit
800	1320	04.416.014.x	1 unit
800	1520	04.416.015.x	1 unit
800	1720	04.416.016.x	1 unit
800	1920	04.416.017.x	1 unit
1000	520	04.416.110.x	1 unit
1000	720	04.416.111.x	1 unit
1000	920	04.416.112.x	1 unit
1000	1120	04.416.113.x	1 unit
1000	1320	04.416.114.x	1 unit
1000	1520	04.416.115.x	1 unit
1000	1720	04.416.116.x	1 unit
1000	1920	04.416.117.x	1 unit

Dimensions in mm: W = Width  
H = Height  
D = Depth  
h = Installation height  
d = Usable depth  
L = Length  
HEA = electronically height adjustable  
HA = height-adjustable  
UP = Unit of packaging  
kg = Weight

Conversion: 1 inch = 25,4 mm  
Replace „x“ with the number of your color choice

## Knürr SynergyConsole® Single Desk Height fixed with lowered monitor level



syn20151

- As link-up or as single desk
- Both side parts with long foot stabilizers
- Provides full length stabilizer feet for the highest possible anti-tilt and stability
- Fixed Height version
- Split worktop with ErgoEdge desk front edge
- Monitor level 70 mm lowered
- Front worktop mounted on rigid outriggers
- Monitor level depth: 400 mm
- Intelligent and concealed cable management
- Side elements fully usable for vertical and lateral cabling
- Patented ErgoEdge desk front edge provides a pleasant surface temperature
- Modularity: Installation option for perforated rear panel, technical pedestal or monitor level
- Plenty of room for cables, switches and power supplies in the generously dimensioned desk tray
- With cover at the rear including brush strip for dust protected and out-of-view cabling (cover not required with mounted monitor level)

### Material

- Extruded aluminum side panel vertical supports, powder-coated
- Sheet steel covers, stabilizer feet, desk tray and split worktop stabilizer, powder-coated
- Plastic impact protection caps
- Worktops: 30 mm three layer particle board, FP / Y E1 version, fire protection class B2
- Worktop coating: High pressure plastic laminate
- Plastic ErgoEdge desk front edge

### Finish

Basic frames:  
Side panel vertical extrusions, desk tray and split worktop stabilizer:  
RAL 9006 white aluminum  
Covers, stabilizer feet and foot caps:  
RAL 7021 dark gray  
Worktops:  
.1: Worktop coating in RAL 7035 light gray, ErgoEdge impact edge and veneer in RAL 7021 dark gray  
.5: Worktop coating in beech design, ErgoEdge impact edge and veneer in RAL 7021 dark gray  
.9: Worktop coating in basalt gray, ErgoEdge impact edge and veneer in RAL 7021 dark gray  
Replace „x“ with the number of your color choice

### Load rating

1500 N (static surface load)

### Worktop Height

H: 750 mm  
h: 70 mm

### Supply schedule

1 worktop  
Worktop end element l/r  
1 worktop for lowered level  
2 side panels with long stabilizers feet and with split worktop stabilizers.  
1 desk tray with rear cover  
Plastic plug, black l/r  
Mounting material

### How supplied

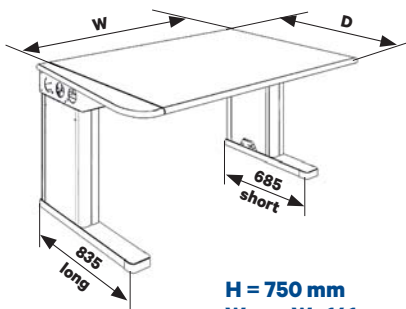
Preassembled modules

D	W	Order no.	UP
1000	520	<b>04.416.310.x</b>	1 unit
1000	720	<b>04.416.311.x</b>	1 unit
1000	920	<b>04.416.312.x</b>	1 unit
1000	1120	<b>04.416.313.x</b>	1 unit
1000	1320	<b>04.416.314.x</b>	1 unit
1000	1520	<b>04.416.315.x</b>	1 unit
1000	1720	<b>04.416.316.x</b>	1 unit
1000	1920	<b>04.416.317.x</b>	1 unit

## Knürr SynergyConsole® Starter Desk Height fixed



syn20127



syn20152

**H = 750 mm**  
**W<sub>ges</sub> = W + 141 mm**

- As first desk on the left with link-ups
- Side panel on the right with shortened stabilizer feet for maximum leg space in the link-up area
- Fixed Height version
- Intelligent and concealed cable management
- Side elements fully usable for vertical and lateral cabling
- Patented ErgoEdge desk front edge provides a pleasant surface temperature
- Modularity: Installation option for perforated rear panel, technical pedestal or monitor level
- Plenty of room for cables, switches and power supplies in the generously dimensioned desk tray
- With cover at the rear including brush strip for dust protected and out-of-view cabling (cover not required with mounted monitor level)

### Material

- Extruded aluminum side panel vertical supports, powder-coated
- Sheet steel covers, stabilizer feet, desk tray and worktop stabilizer, powder-coated
- Plastic impact protection caps
- Worktop: 30 mm three layer particle board, FP / Y E1 version, fire protection class B2
- Worktop coating: High pressure plastic laminate
- Plastic ErgoEdge desk front edge

### Finish

- Basic frames:
- Side panel vertical extrusions, desk tray

and worktop stabilizer: RAL 9006 white aluminum

Covers, stabilizer feet and foot caps:

RAL 7021 dark gray

Worktops:

- 1: Worktop coating in RAL 7035 light gray, ErgoEdge impact edge and veneer in RAL 7021 dark gray
- 5: Worktop coating in beech design, ErgoEdge impact edge and veneer in RAL 7021 dark gray
- 9: Worktop coating in basalt gray, ErgoEdge impact edge and veneer in RAL 7021 dark gray

Replace „x“ with the number of your color choice

### Load rating

1500 N (static surface load)

### Worktop Height

H: 750 mm

### Supply schedule

- 1 worktop
- Worktop end element left
- 1 left side panel with long stabilizer foot
- 1 right side panel with shortened stabilizer foot
- 1 desk tray with rear cover
- Plastic plug, black left
- Mounting material

### How supplied

Preassembled modules

D	W	Order no.	UP
800	520	04.416.020.x	1 unit
800	720	04.416.021.x	1 unit
800	920	04.416.022.x	1 unit
800	1120	04.416.023.x	1 unit
800	1320	04.416.024.x	1 unit
800	1520	04.416.025.x	1 unit
800	1720	04.416.026.x	1 unit
800	1920	04.416.027.x	1 unit
1000	520	04.416.120.x	1 unit
1000	720	04.416.121.x	1 unit
1000	920	04.416.122.x	1 unit
1000	1120	04.416.123.x	1 unit
1000	1320	04.416.124.x	1 unit
1000	1520	04.416.125.x	1 unit
1000	1720	04.416.126.x	1 unit
1000	1920	04.416.127.x	1 unit

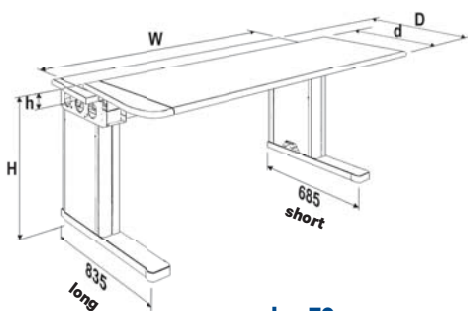
Dimensions in mm: W = Width  
H = Height  
D = Depth  
h = Installation height  
d = Usable depth  
L = Length

HEA = electronically height adjustable  
HA = height-adjustable

UP = Unit of packaging  
kg = Weight

Conversion: 1 inch = 25,4 mm  
Replace „x“ with the number of your color choice





syn20153

**h = 70 mm**  
**H = 750 mm**  
**W<sub>ges</sub> = W + 141 mm**

## Knürr SynergyConsole® Starter Desk Height fixed with lowered monitor level

- As first desk on the left with link-ups
- Side panel on the right with shortened stabilizer feet for optimum maximum leg space in the link-up area
- Fixed Height version
- Split worktop with ErgoEdge desk front edge
- Monitor level 70 mm lowered
- Front worktop mounted on rigid outriggers
- Monitor level depth: 400 mm
- Intelligent and concealed cable management
- Side elements fully usable for vertical and lateral cabling
- Patented ErgoEdge desk front edge provides a pleasant surface temperature
- Modularity: Installation option for perforated rear panel, technical pedestal or monitor level
- Plenty of room for cables, switches and power supplies in the generously dimensioned desk tray
- With cover at the rear including brush strip for dust protected and out-of-view cabling (cover not required with mounted monitor level)

### Material

- Extruded aluminum side panel vertical supports, powder-coated
- Sheet steel covers, stabilizer feet, desk tray and split worktop stabilizer, powder-coated
- Plastic impact protection caps
- Worktop: 30 mm three layer particle board, FP / Y E1 version, fire protection class B2
- Worktop coating: High pressure plastic laminate
- Plastic ErgoEdge desk front edge

### Finish

Basic frames:  
 Side panel vertical extrusions, desk tray and split worktop stabilizer:  
 RAL 9006 white aluminum  
 Covers, stabilizer feet and foot caps:  
 RAL 7021 dark gray  
 Worktops:  
 .1: Worktop coating in RAL 7035 light gray, ErgoEdge impact edge and veneer in RAL 7021 dark gray  
 .5: Worktop coating in beech design, ErgoEdge impact edge and veneer in RAL 7021 dark gray  
 .9: Worktop coating in basalt gray, ErgoEdge impact edge and veneer in RAL 7021 dark gray  
 Replace „x“ with the number of your color choice

### Load rating

1500 N (static surface load)

### Worktop Height

H: 750 mm  
 h: 70 mm

### Supply schedule

1 worktop  
 Worktop end element left  
 1 worktop for lowered level  
 1 left side panel with long stabilizer foot and split worktop stabilizer  
 1 right side panel with shortened stabilizer foot  
 1 desk tray with rear cover  
 Plastic plug, black left  
 Mounting material

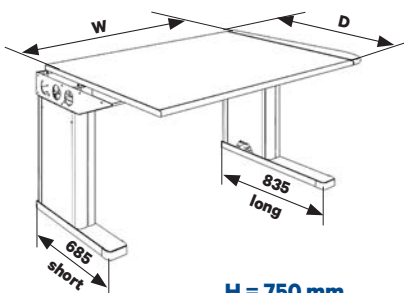
### How supplied

Preassembled modules

D	W	D	Order no.	UP
1000	520	600	<b>04.416.320.x</b>	1 unit
1000	720	600	<b>04.416.321.x</b>	1 unit
1000	920	600	<b>04.416.322.x</b>	1 unit
1000	1120	600	<b>04.416.323.x</b>	1 unit
1000	1320	600	<b>04.416.324.x</b>	1 unit
1000	1520	600	<b>04.416.325.x</b>	1 unit
1000	1720	600	<b>04.416.326.x</b>	1 unit
1000	1920	600	<b>04.416.327.x</b>	1 unit



syn20128



**H = 750 mm**  
**W<sub>ges</sub> = W + 141 mm**

syn20154

## Knürr SynergyConsole® End Desk Height fixed

- For linking up or closing off after a corner piece
- Can be further linked up with an add-on desk
- Side panel on the left with shortened stabilizer feet for maximum leg space in the link-up area
- Fixed Height version
- Intelligent and concealed cable management
- Side elements fully usable for vertical and lateral cabling
- Patented ErgoEdge desk front edge provides a pleasant surface temperature
- Modularity: Installation option for perforated rear panel, technical pedestal or monitor level
- Plenty of room for cables, switches and power supplies in the generously dimensioned desk tray
- With cover at the rear including brush strip for dust protected and out-of-view cabling (cover not required with mounted monitor level)

### Material

- Extruded aluminum side panel vertical supports, powder-coated
- Sheet steel covers, stabilizer feet, desk tray and worktop stabilizer, powder-coated
- Plastic impact protection caps
- Worktop: 30 mm three layer particle board, FP / Y E1 version, fire protection class B2
- Worktop coating: High pressure plastic laminate
- Plastic ErgoEdge desk front edge

### Finish

Basic frames:

Side panel vertical extrusions, desk tray and worktop stabilizer: RAL 9006 white aluminum

Covers, stabilizer feet and foot caps: RAL 7021 dark gray

Worktops:

.1: Worktop coating in RAL 7035 light gray, ErgoEdge impact edge and veneer in RAL 7021 dark gray

.5: Worktop coating in beech design, ErgoEdge impact edge and veneer in RAL 7021 dark gray

.9: Worktop coating in basalt gray, ErgoEdge impact edge and veneer in RAL 7021 dark gray

Replace „x“ with the number of your color choice

### Load rating

1500 N (static surface load)

### Worktop Height

H: 750 mm

### Supply schedule

1 worktop

Worktop end element right

1 left side panel with shortened stabilizer foot

1 right side panel with long stabilizer foot

1 desk tray with rear cover

Plastic plug, black right

Mounting material

### How supplied

Preassembled modules

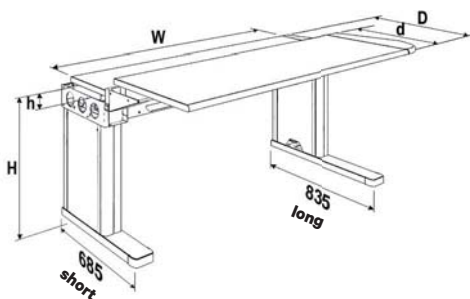
D	W	Order no.	UP
800	520	<b>04.416.030.x</b>	1 unit
800	720	<b>04.416.031.x</b>	1 unit
800	920	<b>04.416.032.x</b>	1 unit
800	1120	<b>04.416.033.x</b>	1 unit
800	1320	<b>04.416.034.x</b>	1 unit
800	1520	<b>04.416.035.x</b>	1 unit
800	1720	<b>04.416.036.x</b>	1 unit
800	1920	<b>04.416.037.x</b>	1 unit
1000	520	<b>04.416.130.x</b>	1 unit
1000	720	<b>04.416.131.x</b>	1 unit
1000	920	<b>04.416.132.x</b>	1 unit
1000	1120	<b>04.416.133.x</b>	1 unit
1000	1320	<b>04.416.134.x</b>	1 unit
1000	1520	<b>04.416.135.x</b>	1 unit
1000	1720	<b>04.416.136.x</b>	1 unit
1000	1920	<b>04.416.137.x</b>	1 unit

Dimensions in mm: W = Width  
H = Height  
D = Depth  
h = Installation height  
d = Usable depth  
L = Length

HEA = electronically height adjustable  
HA = height-adjustable

UP = Unit of packaging  
kg = Weight

Conversion: 1 inch = 25,4 mm  
Replace „x“ with the number of your color choice



syn20155

**h = 70 mm**  
**H = 750 mm**  
 **$W_{ges} = W + 141 \text{ mm}$**

## Knürr SynergyConsole® End Desk Height fixed with lowered monitor level

- For linking up or closing off after a corner piece
- Can be further linked up with an add-on desk
- Side panel on the left with shortened stabilizer feet for maximum leg space in the link-up area
- Fixed Height version
- Split worktop with ErgoEdge desk front edge
- Monitor level 70 mm lowered
- Front worktop mounted on rigid outriggers
- Monitor level depth: 400 mm
- Intelligent and concealed cable management
- Side elements fully usable for vertical and lateral cabling
- Patented ErgoEdge desk front edge provides a pleasant surface temperature
- Modularity: Installation option for perforated rear panel, technical pedestal or monitor level
- Plenty of room for cables, switches and power supplies in the generously dimensioned desk tray
- With cover at the rear including brush strip for dust protected and out-of-view cabling (cover not required with mounted monitor level)

### Material

- Extruded aluminum side panel vertical supports, powder-coated
- Sheet steel covers, stabilizer feet, desk tray and split worktop stabilizer, powder-coated
- Plastic impact protection caps
- Worktop: 30 mm three layer particle board, FP / Y E1 version, fire protection class B2
- Worktop coating: High pressure plastic laminate
- Plastic ErgoEdge desk front edge

### Finish

Basic frames:  
 Side panel vertical extrusions, desk tray and split worktop stabilizer:  
 RAL 9006 white aluminum  
 Covers, stabilizer feet and foot caps:  
 RAL 7021 dark gray

### Worktops:

- 1: Worktop coating in RAL 7035 light gray, ErgoEdge impact edge and veneer in RAL 7021 dark gray
- 5: Worktop coating in beech design, ErgoEdge impact edge and veneer in RAL 7021 dark gray
- 9: Worktop coating in basalt gray, ErgoEdge impact edge and veneer in RAL 7021 dark gray

Replace „x“ with the number of your color choice

### Load rating

1500 N (static surface load)

### Worktop Height

H: 750 mm  
 h: 70 mm

### Supply schedule

- 1 worktop
- Worktop end element right
- 1 worktop for lowered level
- 1 left side panel with shortened stabilizer foot
- 1 right side panel with long stabilizer foot
- 1 desk tray with rear cover
- Plastic plug, black, right
- Mounting material

### How supplied

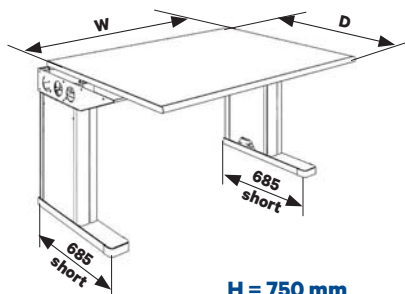
Preassembled modules

D	W	d	Order no.	UP
1000	520	600	<b>04.416.330.x</b>	1 unit
1000	720	600	<b>04.416.331.x</b>	1 unit
1000	920	600	<b>04.416.332.x</b>	1 unit
1000	1120	600	<b>04.416.333.x</b>	1 unit
1000	1320	600	<b>04.416.334.x</b>	1 unit
1000	1520	600	<b>04.416.335.x</b>	1 unit
1000	1720	600	<b>04.416.336.x</b>	1 unit
1000	1920	600	<b>04.416.337.x</b>	1 unit





syn20129



syn20156

## Knürr SynergyConsole® Link-up Desk, Middle Height fixed

- For linking-up between two corner pieces
- Can be further linked up with an add-on desk
- Side panel on the left and right with shortened stabilizer feet for maximum leg space in the link-up area
- Fixed Height version
- Intelligent and concealed cable management
- Side elements fully usable for vertical and lateral cabling
- Patented ErgoEdge desk front edge provides a pleasant surface temperature
- Modularity: Installation option for perforated rear panel, technical pedestal or monitor level
- Plenty of room for cables, switches and power supplies in the generously dimensioned desk tray
- With cover at the rear including brush strip for dust protected and out-of-view cabling (cover not required with mounted monitor level)

### Material

- Extruded aluminum side panel vertical supports, powder-coated
- Sheet steel covers, stabilizer feet, desk tray and worktop stabilizer, powder-coated
- Plastic impact protection caps
- Worktop: 30 mm three layer particle board, FP / Y E1 version, fire protection class B2
- Worktop coating: High pressure plastic laminate
- Plastic ErgoEdge desk front edge

### Finish

Basic frames:  
Side panel vertical extrusions, desk tray and worktop stabilizer: RAL 9006 white aluminum  
Covers, stabilizer feet and foot caps: RAL 7021 dark gray  
Worktops:  
.1: Worktop coating in RAL 7035 light gray, ErgoEdge impact edge and veneer in RAL 7021 dark gray  
.5: Worktop coating in beech design, ErgoEdge impact edge and veneer in RAL 7021 dark gray  
.9: Worktop coating in basalt gray, ErgoEdge impact edge and veneer in RAL 7021 dark gray  
Replace „x“ with the number of your color choice

### Load rating

1500 N (static surface load)

### Worktop Height

H: 750 mm

### Supply schedule

1 worktop  
2 side panels with shortened stabilizer feet  
1 desk tray with rear cover  
Mounting material

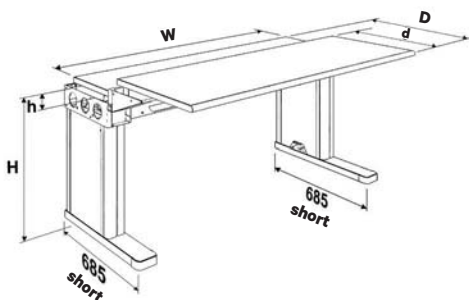
### How supplied

Preassembled modules

D	W	Order no.	UP
800	520	04.416.040.x	1 unit
800	720	04.416.041.x	1 unit
800	920	04.416.042.x	1 unit
800	1120	04.416.043.x	1 unit
800	1320	04.416.044.x	1 unit
800	1520	04.416.045.x	1 unit
800	1720	04.416.046.x	1 unit
800	1920	04.416.047.x	1 unit
1000	520	04.416.140.x	1 unit
1000	720	04.416.141.x	1 unit
1000	920	04.416.142.x	1 unit
1000	1120	04.416.143.x	1 unit
1000	1320	04.416.144.x	1 unit
1000	1520	04.416.145.x	1 unit
1000	1720	04.416.146.x	1 unit
1000	1920	04.416.147.x	1 unit

Dimensions in mm: W = Width  
H = Height  
D = Depth  
h = Installation height  
d = Usable depth  
L = Length  
HEA = electronically height adjustable  
HA = height-adjustable  
UP = Unit of packaging  
kg = Weight

Conversion: 1 inch = 25,4 mm  
Replace „x“ with the number of your color choice



**h = 70 mm**  
**H = 750 mm**

syn20157

## Knürr SynergyConsole® Link-up Desk, Middle Height fixed with lowered monitor level

- For linking-up between two corner pieces
- Can be further linked up with an add-on desk
- Side panel on the left and right with shortened stabilizer feet for maximum leg space in the link-up area
- Fixed Height version
- Split worktop with ErgoEdge desk front edge
- Monitor level 70 mm lowered
- Front worktop mounted on rigid outriggers
- Monitor level depth: 400 mm
- Intelligent and concealed cable management
- Side elements fully usable for vertical and lateral cabling
- Patented ErgoEdge desk front edge provides a pleasant surface temperature
- Modularity: Installation option for perforated rear panel, technical pedestal or monitor level
- Plenty of room for cables, switches and power supplies in the generously dimensioned desk tray
- With cover at the rear including brush strip for dust protected and out-of-view cabling (cover not required with mounted monitor level)

### Material

- Extruded aluminum side panel vertical supports, powder-coated
- Sheet steel covers, stabilizer feet, desk tray and split worktop stabilizer, powder-coated
- Plastic impact protection caps
- Worktop: 30 mm three layer particle board, FP / Y E1 version, fire protection class B2
- Worktop coating: High pressure plastic laminate
- Plastic ErgoEdge desk front edge

### Finish

Basic frames:  
Side panel vertical extrusions, desk tray and split worktop stabilizer:  
RAL 9006 white aluminum  
Covers, stabilizer feet and foot caps:  
RAL 7021 dark gray  
Worktops:  
.1: Worktop coating in RAL 7035 light gray, ErgoEdge impact edge and veneer in RAL 7021 dark gray  
.5: Worktop coating in beech design, ErgoEdge impact edge and veneer in RAL 7021 dark gray  
.9: Worktop coating in basalt gray, ErgoEdge impact edge and veneer in RAL 7021 dark gray  
Replace „x“ with the number of your color choice

### Load rating

1500 N (static surface load)

### Worktop Height

H: 750 mm  
h: 70 mm

### Supply schedule

1 worktop  
1 worktop for lowered level  
2 side panels with shortened stabilizer feet  
1 desk tray with rear cover  
Mounting material

### How supplied

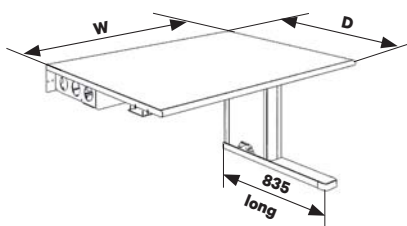
Preassembled modules

D	W	d	Order no.	UP
1000	520	600	<b>04.416.340.x</b>	1 unit
1000	720	600	<b>04.416.341.x</b>	1 unit
1000	920	600	<b>04.416.342.x</b>	1 unit
1000	1120	600	<b>04.416.343.x</b>	1 unit
1000	1320	600	<b>04.416.344.x</b>	1 unit
1000	1520	600	<b>04.416.345.x</b>	1 unit
1000	1720	600	<b>04.416.346.x</b>	1 unit
1000	1920	600	<b>04.416.347.x</b>	1 unit

## Knürr SynergyConsole® Add-on Desk, Long Stabilizer Height fixed, left or right mounting



syn20130



syn20158

**H = 750 mm**

- For linking up after a starter or single desk
- Can be further linked up with an add-on desk
- Only with one side element (left or right) and long stabilizer foot for highest possible stability
- Fixed Height version
- Intelligent and concealed cable management
- Side elements fully usable for vertical and lateral cabling
- Patented ErgoEdge desk front edge provides a pleasant surface temperature
- Modularity: Installation option for perforated rear panel, technical pedestal or monitor level
- Plenty of room for cables, switches and power supplies in the generously dimensioned desk tray
- With cover at the rear including brush strip for dust protected and out-of-view cabling (cover not required with mounted monitor level)

### Material

- Extruded aluminum side panel vertical supports, powder-coated
- Sheet steel covers, stabilizer foot, desk tray and worktop stabilizer, powder-coated
- Plastic impact protection caps
- Worktop: 30 mm three layer particle board, FP / Y E1 version, fire protection class B2
- Worktop coating: High pressure plastic laminate
- Plastic ErgoEdge desk front edge

### Finish

- Basic frames:  
Side panel vertical extrusions, desk tray and worktop stabilizer: RAL 9006 white aluminum  
Covers, stabilizer foot and foot caps: RAL 7021 dark gray  
Worktops:  
.1: Worktop coating in RAL 7035 light gray, ErgoEdge impact edge and veneer in RAL 7021 dark gray  
.5: Worktop coating in beech design, ErgoEdge impact edge and veneer in RAL 7021 dark gray  
.9: Worktop coating in basalt gray, ErgoEdge impact edge and veneer in RAL 7021 dark gray  
Replace „x“ with the number of your color choice

### Load rating

1500 N (static surface load)

### Worktop Height

H: 750 mm

### Supply schedule

- 1 worktop
- 1 side panel with long stabilizer foot
- 1 desk tray with rear cover
- Mounting material

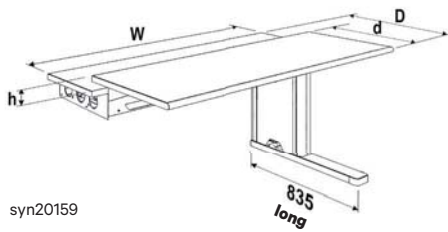
### How supplied

Preassembled modules

D	W	Order no. (Right mounting)	Order no. (Left mounting)	UP
800	520	04.416.050.x	04.416.070.x	1 unit
800	720	04.416.051.x	04.416.071.x	1 unit
800	920	04.416.052.x	04.416.072.x	1 unit
800	1120	04.416.053.x	04.416.073.x	1 unit
800	1320	04.416.054.x	04.416.074.x	1 unit
800	1520	04.416.055.x	04.416.075.x	1 unit
800	1720	04.416.056.x	04.416.076.x	1 unit
800	1920	04.416.057.x	04.416.077.x	1 unit
1000	520	04.416.150.x	04.416.170.x	1 unit
1000	720	04.416.151.x	04.416.171.x	1 unit
1000	920	04.416.152.x	04.416.172.x	1 unit
1000	1120	04.416.153.x	04.416.173.x	1 unit
1000	1320	04.416.154.x	04.416.174.x	1 unit
1000	1520	04.416.155.x	04.416.175.x	1 unit
1000	1720	04.416.156.x	04.416.176.x	1 unit
1000	1920	04.416.157.x	04.416.177.x	1 unit

Dimensions in mm: W = Width  
H = Height  
D = Depth  
h = Installation height  
d = Usable depth  
L = Length  
HEA = electronically height adjustable  
HA = height-adjustable  
UP = Unit of packaging  
kg = Weight

Conversion: 1 inch = 25,4 mm  
Replace „x“ with the number of your color choice



syn20159

**h = 70 mm**  
**H = 750 mm**

## Knürr SynergyConsole® Add-on Desk, Long Stabilizer

Height fixed, left or right mounting with lowered monitor surface

- For linking up after a starter or single desk
- Can be further linked up with an add-on desk
- Only with one side element (left or right) and long stabilizer foot for highest possible stability
- Fixed Height version
- Split worktop with ErgoEdge desk front edge
- Monitor level 70 mm lowered
- Front worktop mounted on rigid outriggers
- Monitor level depth: 400 mm
- Intelligent and concealed cable management
- Side elements fully usable for vertical and lateral cabling
- Patented ErgoEdge desk front edge provides a pleasant surface temperature
- Modularity: Installation option for perforated rear panel, technical pedestal or monitor level
- Plenty of room for cables, switches and power supplies in the generously dimensioned desk tray
- With cover at the rear including brush strip for dust protected and out-of-view cabling (cover not required with mounted monitor level)

### Material

- Extruded aluminum side panel vertical supports, powder-coated
- Sheet steel covers, stabilizer foot, desk tray and split worktop stabilizer, powder-coated
- Plastic impact protection caps
- Worktop: 30 mm three layer particle board, FP / Y E1 version, fire protection class B2
- Worktop coating: High pressure plastic laminate
- Plastic ErgoEdge desk front edge

### Finish

Basic frames:  
Side panel vertical extrusions, desk tray and split worktop stabilizer:  
RAL 9006 white aluminum  
Covers, stabilizer foot and foot caps:  
RAL 7021 dark gray  
Worktops:  
.1: Worktop coating in RAL 7035 light gray, ErgoEdge impact edge and veneer in RAL 7021 dark gray  
.5: Worktop coating in beech design, ErgoEdge impact edge and veneer in RAL 7021 dark gray  
.9: Worktop coating in basalt gray, ErgoEdge impact edge and veneer in RAL 7021 dark gray  
Replace „x“ with the number of your color choice

### Load rating

1500 N (static surface load)

### Worktop Height

H: 750 mm  
h: 70 mm

### Supply schedule

1 worktop  
1 worktop for lowered level  
1 side panel with long stabilizer foot  
1 desk tray with rear cover  
Mounting material

### How supplied

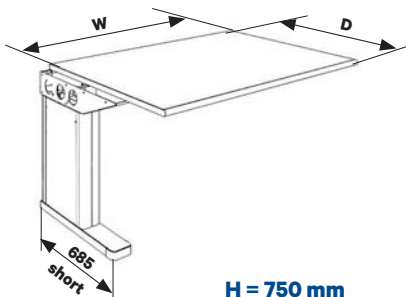
Preassembled modules

D	W	d	Order no. (Right mounting)	Order no. (Left mounting)	UP
1000	520	600	<b>04.416.350.x</b>	<b>04.416.370.x</b>	1 unit
1000	720	600	<b>04.416.351.x</b>	<b>04.416.371.x</b>	1 unit
1000	920	600	<b>04.416.352.x</b>	<b>04.416.372.x</b>	1 unit
1000	1120	600	<b>04.416.353.x</b>	<b>04.416.373.x</b>	1 unit
1000	1320	600	<b>04.416.354.x</b>	<b>04.416.374.x</b>	1 unit
1000	1520	600	<b>04.416.355.x</b>	<b>04.416.375.x</b>	1 unit
1000	1720	600	<b>04.416.356.x</b>	<b>04.416.376.x</b>	1 unit
1000	1920	600	<b>04.416.357.x</b>	<b>04.416.377.x</b>	1 unit

## Knürr SynergyConsole® Add-on Desk, Short Stabilizer Height fixed, left or right mounting



syn20131



H = 750 mm

syn20160

- For linking up after a starter or single desk
- Can be further linked up with an add-on desk
- Only with one side panel (left or right) shortened stabilizer foot for maximum leg space in the link-up area
- Fixed Height version
- Intelligent and concealed cable management
- Side elements fully usable for vertical and lateral cabling
- Patented ErgoEdge desk front edge provides a pleasant surface temperature
- Modularity: Installation option for perforated rear panel, technical pedestal or monitor level
- Plenty of room for cables, switches and power supplies in the generously dimensioned desk tray
- With cover at the rear including brush strip for dust protected and out-of-view cabling (cover not required with mounted monitor level)

### Material

- Extruded aluminum side panel vertical supports, powder-coated
- Sheet steel covers, stabilizer foot, desk tray and worktop stabilizer, powder-coated
- Plastic impact protection caps
- Worktop: 30 mm three layer particle board, FP / Y E1 version, fire protection class B2
- Worktop coating: High pressure plastic laminate
- Plastic ErgoEdge desk front edge

### Finish

- Basic frames:  
Side panel vertical extrusions, desk tray and worktop stabilizer: RAL 9006 white aluminum  
Covers, stabilizer foot and foot caps: RAL 7021 dark gray  
Worktops:  
.1: Worktop coating in RAL 7035 light gray, ErgoEdge impact edge and veneer in RAL 7021 dark gray  
.5: Worktop coating in beech design, ErgoEdge impact edge and veneer in RAL 7021 dark gray  
.9: Worktop coating in basalt gray, ErgoEdge impact edge and veneer in RAL 7021 dark gray  
Replace „x“ with the number of your color choice

### Load rating

1500 N (static surface load)

### Worktop Height

H: 750 mm

### Supply schedule

- 1 worktop
- 1 side panel with shortened stabilizer foot
- 1 desk tray with rear cover
- Mounting material

### How supplied

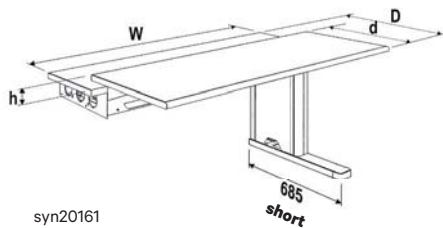
Preassembled modules

D	W	Order no. (Right mounting)	Order no. (Left mounting)	UP
800	520	04.416.060.x	04.416.080.x	1 unit
800	720	04.416.061.x	04.416.081.x	1 unit
800	920	04.416.062.x	04.416.082.x	1 unit
800	1120	04.416.063.x	04.416.083.x	1 unit
800	1320	04.416.064.x	04.416.084.x	1 unit
800	1520	04.416.065.x	04.416.085.x	1 unit
800	1720	04.416.066.x	04.416.086.x	1 unit
800	1920	04.416.067.x	04.416.087.x	1 unit
1000	520	04.416.160.x	04.416.180.x	1 unit
1000	720	04.416.161.x	04.416.181.x	1 unit
1000	920	04.416.162.x	04.416.182.x	1 unit
1000	1120	04.416.163.x	04.416.183.x	1 unit
1000	1320	04.416.164.x	04.416.184.x	1 unit
1000	1520	04.416.165.x	04.416.185.x	1 unit
1000	1720	04.416.166.x	04.416.186.x	1 unit
1000	1920	04.416.167.x	04.416.187.x	1 unit

Dimensions in mm: W = Width  
H = Height  
D = Depth  
h = Installation height  
d = Usable depth  
L = Length  
HEA = electronically height adjustable  
HA = height-adjustable  
UP = Unit of packaging  
kg = Weight

Conversion: 1 inch = 25,4 mm  
Replace „x“ with the number of your color choice





**h = 70 mm**  
**H = 750 mm**

## Knürr SynergyConsole® Add-on Desk, Short Stabilizer

Height fixed, left or right mounting with lowered monitor surface

- For linking up after a starter or single desk
- Can be further linked up with an add-on desk
- Only with one side panel (left or right) shortened stabilizer foot for maximum leg space in the link-up area
- Fixed Height version
- Split worktop with ErgoEdge desk front edge.
- Monitor level 70 mm lowered
- Front worktop mounted on rigid outriggers
- Monitor level depth: 400 mm
- Intelligent and concealed cable management
- Side elements fully usable for vertical and lateral cabling
- Patented ErgoEdge desk front edge provides a pleasant surface temperature
- Modularity: Installation option for perforated rear panel, technical pedestal or monitor level
- Plenty of room for cables, switches and power supplies in the generously dimensioned desk tray
- With cover at the rear including brush strip for dust protected and out-of-view cabling (cover not required with mounted monitor level)

### Material

- Extruded aluminum side panel vertical supports, powder-coated
- Sheet steel covers, stabilizer foot, desk tray and split worktop stabilizer, powder-coated
- Plastic impact protection caps
- Worktop: 30 mm three layer particle board, FP / Y E1 version, fire protection class B2
- Worktop coating: High pressure plastic laminate
- Plastic ErgoEdge desk front edge

### Finish

Basic frames:  
Side panel vertical extrusions, desk tray and split worktop stabilizer:  
RAL 9006 white aluminum  
Covers, stabilizer foot and foot caps:  
RAL 7021 dark gray  
Worktops:  
.1: Worktop coating in RAL 7035 light gray, ErgoEdge impact edge and veneer in RAL 7021 dark gray  
.5: Worktop coating in beech design, ErgoEdge impact edge and veneer in RAL 7021 dark gray  
.9: Worktop coating in basalt gray, ErgoEdge impact edge and veneer in RAL 7021 dark gray  
Replace „x“ with the number of your color choice

### Load rating

1500 N (static surface load)

### Worktop Height

H: 750 mm  
h: 70 mm

### Supply schedule

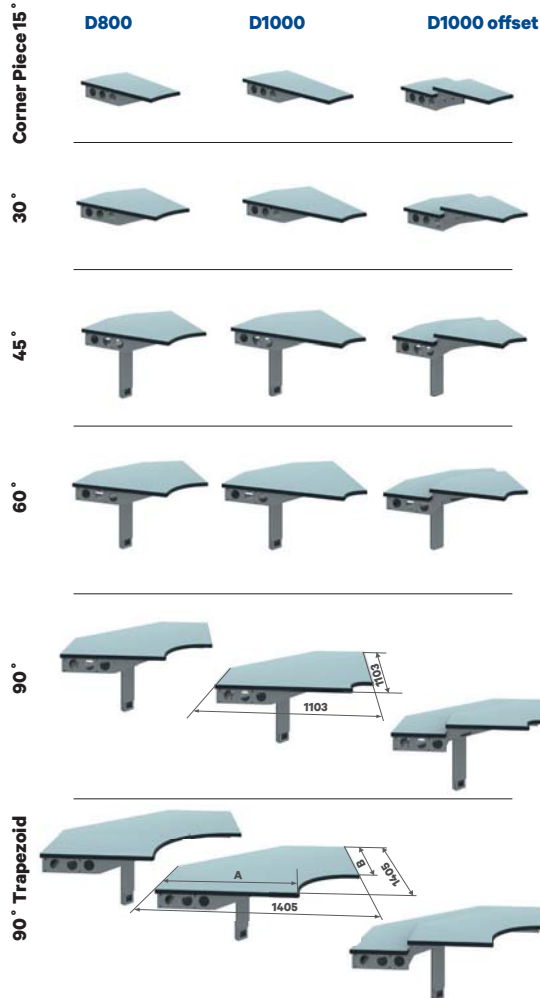
1 worktop  
1 worktop for lowered level  
1 side panel with shortened stabilizer foot  
1 desk tray with rear cover  
Mounting material

### How supplied

Preassembled modules

D	W	d	Order no. (Right mounting)	Order no. (Left mounting)	UP
1000	520	600	<b>04.416.360.x</b>	<b>04.416.380.x</b>	1 unit
1000	720	600	<b>04.416.361.x</b>	<b>04.416.381.x</b>	1 unit
1000	920	600	<b>04.416.362.x</b>	<b>04.416.382.x</b>	1 unit
1000	1120	600	<b>04.416.363.x</b>	<b>04.416.383.x</b>	1 unit
1000	1320	600	<b>04.416.364.x</b>	<b>04.416.384.x</b>	1 unit
1000	1520	600	<b>04.416.365.x</b>	<b>04.416.385.x</b>	1 unit
1000	1720	600	<b>04.416.366.x</b>	<b>04.416.386.x</b>	1 unit
1000	1920	600	<b>04.416.367.x</b>	<b>04.416.387.x</b>	1 unit

## Knürr SynergyConsole® Corner Piece Height fixed



SYN20180

- With support arms for direct connection on the worktop stabilizer of the linked-up desks
- Patented ErgoEdge corner piece front edge provides a pleasant surface temperature
- Modularity: Installation option for perforated rear panel or monitor level
- Plenty of room for cables, switches and power supplies in the generously dimensioned corner piece tray
- Additional vertical cabling possible via the rear support foot
- Corner piece tray with cover at the rear including brush strip for dust protected and out-of-view cabling (Cover not required with mounted monitor level)

### Material

- Sheet steel support foot, support arms and corner piece tray, powder-coated
- Corner worktop: 30 mm three layer particle board, FP / Y E1 version, fire protection class B2
- Board coating: High pressure plastic laminate
- Plastic ErgoEdge corner piece front edge

### Finish

Corner piece tray, support foot and support arms: RAL 9006 white aluminum

Corner piece panels:

- .1: Worktop coating in RAL 7035 light gray, ErgoEdge impact edge and veneer in RAL 7021 dark gray
- .5: Worktop coating in beech design, ErgoEdge impact edge and veneer in RAL 7021 dark gray
- .9: Worktop coating in basalt gray, ErgoEdge impact edge and veneer in RAL 7021 dark gray

Replace „x“ with the number of your color choice

### Load rating

1500 N (static surface load)

### Worktop Height

H: 750 mm  
h: 70 mm

### Supply schedule

- 1 corner worktop
- 1 corner piece tray with support arms and rear cover
- Mounting material

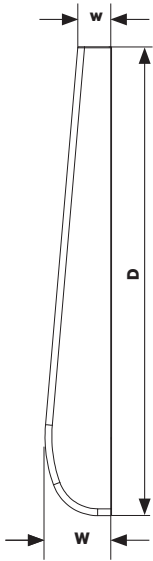
### How supplied

Preassembled modules

	A	B	Order no.	UP
Corner Piece 15°	800	800	<b>04.417.010.x</b>	1 unit
Corner Piece 30°	800	800	<b>04.417.020.x</b>	1 unit
Corner Piece 45°	800	800	<b>04.417.030.x</b>	1 unit
Corner Piece 60°	800	800	<b>04.417.040.x</b>	1 unit
Corner Piece 90° (diagonal back)	800	800	<b>04.417.050.x</b>	1 unit
Trapezoid Corner (diagonal back)	800	800	<b>04.417.060.x</b>	1 unit
Corner Piece 15°	1000	1000	<b>04.417.110.x</b>	1 unit
Corner Piece 30°	1000	1000	<b>04.417.120.x</b>	1 unit
Corner Piece 45°	1000	1000	<b>04.417.130.x</b>	1 unit
Corner Piece 60°	1000	1000	<b>04.417.140.x</b>	1 unit
Corner Piece 90° (diagonal back)	1000	1000	<b>04.417.150.x</b>	1 unit
Trapezoid Corner (diagonal back)	1000	1000	<b>04.417.160.x</b>	1 unit
Corner Piece 15° Off set	1000	1000	<b>04.417.111.x</b>	1 unit
Corner Piece 30° Off set	1000	1000	<b>04.417.121.x</b>	1 unit
Corner Piece 45° Off set	1000	1000	<b>04.417.131.x</b>	1 unit
Corner Piece 60° Off set	1000	1000	<b>04.417.141.x</b>	1 unit
Corner Piece 90° (diagonal back) Off set	1000	1000	<b>04.417.151.x</b>	1 unit
Trapezoid Corner (diagonal back) Off set	1000	1000	<b>04.417.161.x</b>	1 unit



SYN20178



SYN20179

## Knürr SynergyConsole® Winglets for desk top

- Winglets rounding off the worktops to keep the desk modules within the standard grid and maintain the clear span in linking
- Can be used as desk end

### Material

- worktop: 30 mm three-layer chipboard FP/Y E1  
Fire protection class B2
- worktop coating: high pressure plastic laminate
- PVC ErgoEdge front edge

### Surface

- .1: worktop coating in RAL 7035 light grey.  
ErgoEdge impact edge and edge banding in RAL 7021 dark grey
- .5: worktop coating in beech design  
ErgoEdge impact edge and edge banding in RAL 7021 dark grey

- .9: Desktop coating in basalt-grey.  
ErgoEdge impact edge and edge banding in RAL 7021 dark grey

Replace "x" with the number of your color choice

### Supply Schedule

Winglet  
Mounting materials

### How supplied

Kit for self-assembly

### How supplied

Take dimension "B" per winglet in link-ups to determine used floor space.

D	w	W	Order no. (right)	Order no. (left)	UP
800	72	141	<b>04.415.077.x</b>	<b>04.415.076.x</b>	1 unit
1000	72	141	<b>04.415.071.x</b>	<b>04.415.070.x</b>	1 unit
400 (Beveled at the back)	72	141	<b>04.415.075.x</b>	<b>04.415.074.x</b>	1 unit
600 (Beveled at the front)	72	141	<b>04.415.073.x</b>	<b>04.415.072.x</b>	1 unit

Dimensions in mm: W = Width  
H = Height  
D = Depth  
h = Installation height  
d = Usable depth  
L = Length

HEA = electronically height adjustable  
HA = height-adjustable

UP = Unit of packaging  
kg = Weight

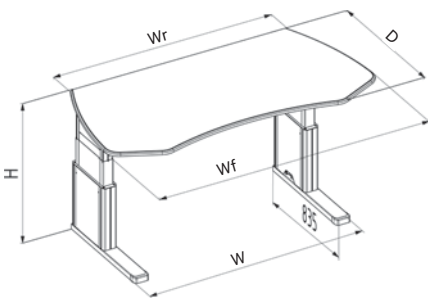
Conversion: 1 inch = 25,4 mm

Replace „x“ with the number of your color choice



SYN20025

Shown with accessories



SYN20082

## Knürr Synergy Advanced with electrically operated sit-stand adjustment

- Continuous freeform worktop, ergonomically shaped for optimum viewing angle with flat-screen work, with ErgoEdge impact edge
- The most modern lifting mechanism possible ensures the worktop moves up and down quietly and stepless
- Intelligent and hidden cable management
- Patented ErgoEdge desk edge provides a pleasant surface temperature
- Modularity: Installation option for perforated rear panel, technical pedestal or monitor level
- Plenty of room for cables, switches and power supplies in the generously dimensioned desk tray
- Desk tray with cover at the rear including brush strip for dust protected and concealed cabling (cover not required with mounted monitor level)

### Material

- Extruded aluminum side panel vertical supports, powder-coated
- Sheet steel covers, stabilizer feet, desk tray and worktop stabilizer, powder-coated
- Plastic impact protection caps
- Worktop: 30 mm three layer particle board, FP / Y E1 version, fire protection class B2
- Worktop coating: High pressure plastic laminate
- Plastic ErgoEdge desk edge

### Finish

- Basic frames:
- Side panel vertical extrusions, desk tray and worktop stabilizer: RAL 9006 white aluminum

Covers, stabilizer feet and foot caps:  
RAL 7021 dark gray

Worktops:

- .1: Worktop coating in RAL 7035 light gray, ErgoEdge impact edge and veneer in RAL 7021 dark gray
- .5: Worktop coating in beech design, ErgoEdge impact edge and veneer in RAL 7021 dark gray.
- .9: Worktop coating in basalt gray, ErgoEdge impact edge and veneer in RAL 7021 dark gray.

Replace „x“ with the number of your color choice

### Load rating

1200 N (static surface load)

### Height setting range

Electrically operated sit-stand adjustment  
H: 650 mm to 1250 mm

### Supply schedule

- 1 freeform worktop
- 2 side panels with long stabilizer feet, worktop stabilizers and lifting mechanism
- 1 desk tray with rear cover
- 1 control unit for height setting mechanism
- Mounting material

### How supplied

Preassembled modules

### Note

Accessories (see figure) not included in supply schedule Technical pedestal (page 29) or perforated rear panel (page 33) order separately

D	W	Wr	Wf	Order no.	UP
800	1233	1260	1525	<b>04.414.013.x</b>	1 unit
800	1633	1660	1940	<b>04.414.015.x</b>	1 unit
800	1833	1860	2145	<b>04.414.016.x</b>	1 unit
800	2033	2060	2355	<b>04.414.017.x</b>	1 unit
1000	1233	1260	1570	<b>04.414.113.x</b>	1 unit
1000	1633	1660	1985	<b>04.414.115.x</b>	1 unit
1000	1833	1860	2190	<b>04.414.116.x</b>	1 unit
1000	2033	2060	2400	<b>04.414.117.x</b>	1 unit

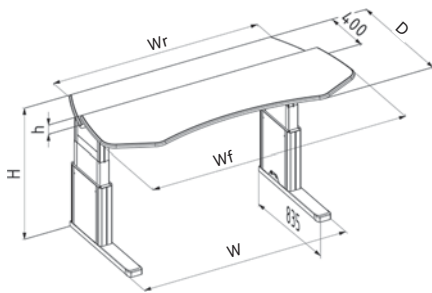
Dimensions in mm: W = Width  
H = Height  
D = Depth  
h = Installation height  
d = Usable depth  
L = Length

HEA = electronically height adjustable  
HA = height-adjustable

UP = Unit of packaging  
kg = Weight

Conversion: 1 inch = 25,4 mm

Replace „x“ with the number of your color choice



SYN20081

## Knürr Synergy Advanced with electrically operated sit-stand adjustment and lowered monitor surface

- Split worktop with ErgoEdge impact edge.
- The worktops are off-set by 70mm through elevating the front worktop compared to the rear worktop
- Monitor level depth: 400 mm
- The most modern lifting mechanism possible ensures the worktop moves up and down quietly and stepless
- Intelligent and concealed cable management.
- Patented ErgoEdge provides a pleasant surface temperature
- Modularity: Installation option for perforated rear panel, technical pedestal or monitor level
- Plenty of room for cables, switches and power supplies in the generously dimensioned desk tray
- With cover at the rear including brush strip for dust protected and out-of-view cabling (cover not required with mounted monitor level)

### Material

- Extruded aluminum side panel vertical supports, powder-coated
- Sheet steel covers, stabilizer feet, desk tray and worktop stabilizer, powder-coated
- Plastic impact protection caps
- Worktops: 30 mm three layer particle board, FP / Y E1 version, fire protection class B2
- Worktop coating: High pressure plastic laminate
- Plastic ErgoEdge desk edge

### Finish

Basic frames:  
Side panel vertical extrusions, desk tray and worktop stabilizer: RAL 9006 white aluminum

Covers, stabilizer feet and foot caps: RAL 7021 dark gray

Worktops:

- .1: Worktop coating in RAL 7035 light gray, ErgoEdge impact edge and veneer in RAL 7021 dark gray
- .5: Worktop coating in beech design, ErgoEdge impact edge and veneer in RAL 7021 dark gray
- .9: Worktop coating in basalt gray, ErgoEdge impact edge and veneer in RAL 7021 dark gray

Replace „x“ with the number of your color choice

### Load rating

1200 N (static surface load)

### Height setting range

Electrically operated sit-stand adjustment  
H: continuously from 650 mm to 1250 mm  
Monitor level  
h: 70 mm

### Supply schedule

- 1 free form worktop
- 1 worktop for lowered level
- 2 side panels with long stabilizer feet, split worktop stabilizer and lifting mechanism
- 1 desk tray with rear cover
- 1 control unit for height setting mechanism
- Mounting material

### How supplied

Preassembled modules

### Note

Technical pedestal (page 29) or perforated rear panel (page 33) order separately

D	W	Wr	Wf	Order no.	UP
1000	1233	1260	1570	<b>04.414.313.x</b>	1 unit
1000	1633	1660	1985	<b>04.414.315.x</b>	1 unit
1000	1833	1860	2190	<b>04.414.316.x</b>	1 unit
1000	2033	2060	2400	<b>04.414.317.x</b>	1 unit

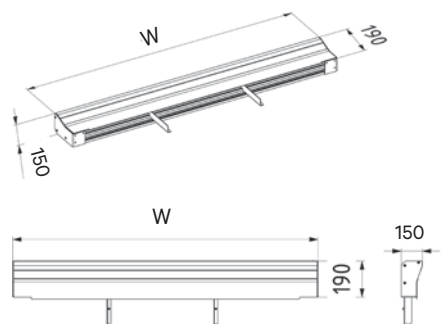




SYN20034



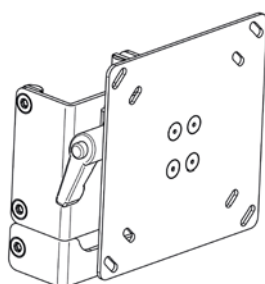
SYN20035



SYN20097



SYN20031



SYN20096

## Knürr SynergyConsole® Monitor Level

- System for ergonomic, safe and secure flat screen positioning
- Docking monitor level in extrusion construction design, for all kind of Knürr Synergy-desks
- Horizontal guide for the vertical monitor columns
- Spacious cable duct provides additional space for cables, switches and power supplies
- Also accessible with wall position via removable cover
- With brush strip for dust protection and hiding from view

### Material

- Extruded aluminum, powder-coated monitor level

- Sheet steel covers, side flanges and adapter, powder-coated

### Finish

- .9: RAL 9006 white aluminum

### Load rating

- Max. 800 N (static surface load)
- Note: Observe overall desk system load rating.

### Supply schedule

- 1 monitor level
- 1 rear cover strip
- 1 cover with brush strip
- Mounting material

### How supplied

- Preassembled modules

Width (W)		Order no.	UP
633	for HEA and HA single desks	<b>04.415.410.9</b>	1 unit
833	for HEA and HA single desks	<b>04.415.411.9</b>	1 unit
1033	for HEA and HA single desks	<b>04.415.412.9</b>	1 unit
1233	for HEA and HA single desks	<b>04.415.413.9</b>	1 unit
1433	for HEA and HA single desks	<b>04.415.414.9</b>	1 unit
1633	for HEA and HA single desks	<b>04.415.415.9</b>	1 unit
1833	for HEA and HA single desks	<b>04.415.416.9</b>	1 unit
2033	for HEA and HA single desks	<b>04.415.417.9</b>	1 unit
520	for height fixed desks	<b>04.415.450.9</b>	1 unit
720	for height fixed desks	<b>04.415.451.9</b>	1 unit
920	for height fixed desks	<b>04.415.452.9</b>	1 unit
1120	for height fixed desks	<b>04.415.453.9</b>	1 unit
1320	for height fixed desks	<b>04.415.454.9</b>	1 unit
1520	for height fixed desks	<b>04.415.455.9</b>	1 unit
1720	for height fixed desks	<b>04.415.456.9</b>	1 unit
1920	for height fixed desks	<b>04.415.457.9</b>	1 unit

## Flat Screen Holder for Knürr SynergyConsole®

- Flat screen adaption (VESA 75/100), suitable in design for Knürr SynergyConsole®
- Vertical supports with hidden cable routing (brush strip)
- For one or two-row desktop flat screen setup
- Short flat screen arm and flat screen holder, telescopic/swivelling with integrated cable routing
- Stepless height-adjustable via T-slots in the vertical supports

### Dimensions

- Vertical supports height – 415 mm (one-row) and 775 mm (two-row).
- Short flat screen holder only carries approx. 40 mm!
- Telescopic flat screen holder from approx. 270 mm to 380 mm.

### Load rating

- 10 kg

### Supply schedule

- 1 flat screen holder with fixing material and 1 vertical support with fixing material

### How supplied

- Flat-packed kit

### Material

- Extruded aluminum vertical supports, powder-coated
- Sheet steel flat screen holder, support holder and support covers, powder-coated

### Finish

- .9: RAL 9006 white aluminum

L	H		Order no.	UP
40		Short TFT arm	<b>04.412.001.9</b>	1 unit
270-380		Telescopic TFT arm	<b>04.412.002.9</b>	1 unit
	415	Flat screen support adapter, 1-row	<b>04.415.004.9</b>	1 unit
	775	Flat screen support adapter, 2-row	<b>04.415.006.9</b>	1 unit



SYN20032

Shown with accessories

## Technical Pedestal for Knürr SynergyConsole®

- Large technical pedestal for fixing mounting panels, chassis rails, computers and other equipment
- Ideal for all Knürr Synergy desk types
- No reduction in foot and legroom depth
- Side cable outlets, split for separate data and power cable routing
- Upward cable routing via the desk's side panels or via optional energy chain
- Open at the bottom for optimum cable inlet or ventilation from the shelf; optional computer shelf available
- Cables can be routed through the optional cable basket tray to the desks' side panels
- Easy to access through completely removable front and rear cover
- Accessories: Mounting rails, cable basket tray, computer shelf and 19" frame

### Material

Sheet steel, powder-coated

### Finish

.9: Main unit and covers,  
RAL 7021 dark gray

### Dimensions

External depth 390 mm, usable depth 350 mm, external height 463 mm, usable height 418 mm

### Supply schedule

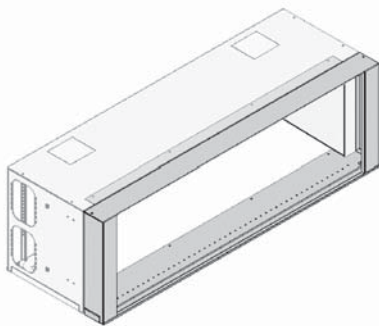
1 technical pedestal with front and rear panel  
Mounting material

### How supplied

Preassembled modules

Width (W)	H	D	w	h	d	Order no.	UP
520/633	463	390	410	418	350	<b>04.415.610.9</b>	1 unit
720/833	463	390	610	418	350	<b>04.415.611.9</b>	1 unit
920/1033	463	390	810	418	350	<b>04.415.612.9</b>	1 unit
1120/1233	463	390	1010	418	350	<b>04.415.613.9</b>	1 unit
1320/1433	463	390	1210	418	350	<b>04.415.614.9</b>	1 unit
1520/1633	463	390	1410	418	350	<b>04.415.615.9</b>	1 unit
1720/1833	463	390	1610	418	350	<b>04.415.616.9</b>	1 unit
1920/2033	463	390	1810	418	350	<b>04.415.617.9</b>	1 unit

Recommended Accessories: see p. 30 - 32



SYN20181

## Extension for Technical Pedestal for Knürr SynergyConsole®

- Rear Extension for Synergy Technical Pedestal
- Results in additional 100 mm usable depth and facilitates installation of servers, switches and other large equipment
- Easy installation
- To be used with original rear panel of the technical pedestal

### Material

Sheet steel, powder-coated

### Finish

.9: Main unit and covers,  
RAL 7021 dark gray

### Dimensions

External depth 100 mm, additional depth 100 mm, external height 463 mm, internal height 418 mm

### Supply schedule

1 extension for technical pedestal  
Mounting material

### How supplied

Single parts modules

Width (W)	D	Order no.	UP
520/633	100	<b>04.415.620.9</b>	1 unit
720/833	100	<b>04.415.621.9</b>	1 unit
920/1033	100	<b>04.415.622.9</b>	1 unit
1120/1233	100	<b>04.415.623.9</b>	1 unit
1320/1433	100	<b>04.415.624.9</b>	1 unit
1520/1633	100	<b>04.415.625.9</b>	1 unit
1720/1833	100	<b>04.415.626.9</b>	1 unit
1920/2033	100	<b>04.415.627.9</b>	1 unit

Dimensions in mm: W = Width  
H = Height  
D = Depth  
h = Installation height  
d = Usable depth  
L = Length

HEA = electronically height adjustable  
HA = height-adjustable

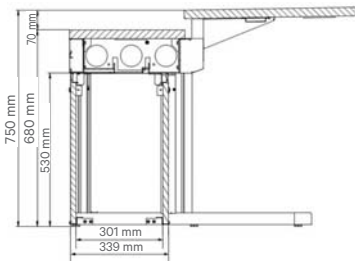
UP = Unit of packaging  
kg = Weight

Conversion: 1 inch = 25,4 mm

Replace „x“ with the number of your color choice



SYN20182



SYN20183

## Technical Pedestal – SLIM Suitable for height-fixed version

- Slim and easy to mount technical pedestal for height fixed SynergyConsole
- Directly connects to cable trays beneath the worktop
- Maximum access in the front and in the back
- Full flexibility for horizontal and vertical wiring
- Can be upgraded at any time
- Can be combined with 19"- frame for technical pedestal

### Material

- 19mm three-layer chipboard
- FP/Y E1, fire protection class B2
- worktop coating: direct coating with

- pressure plastic laminate
- sheet steel, powder-coated texture

### Finish

- .9: sheet steel parts and covers
- RAL 7021 dark grey

### Supply schedule

- Pluggable front and rear panel with brush strip and push locks
- Mounting frame
- Mounting material

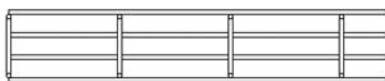
### How supplied

- In a set

W	w	d	Order no.	h	Order no. (lowered worktop)	h	UP
520	410	301	<b>04.417.610.9</b>	600	<b>04.417.600.9</b>	530	1 unit
720	610	301	<b>04.417.611.9</b>	600	<b>04.417.601.9</b>	530	1 unit
920	810	301	<b>04.417.612.9</b>	600	<b>04.417.602.9</b>	530	1 unit
1120	1010	301	<b>04.417.613.9</b>	600	<b>04.417.603.9</b>	530	1 unit
1320	1210	301	<b>04.417.614.9</b>	600	<b>04.417.604.9</b>	530	1 unit
1520	1410	301	<b>04.417.615.9</b>	600	<b>04.417.605.9</b>	530	1 unit
1720	1610	301	<b>04.417.616.9</b>	600	<b>04.417.606.9</b>	530	1 unit
1920	1810	301	<b>04.417.617.9</b>	600	<b>04.417.607.9</b>	530	1 unit



SYN20184



SYN20109

## Cable Basket Tray for technical pedestal

- Cabling system, suitable for the Knürr Synergy technical pedestal
- Separate cable routing for data and network cables

### Material

- Cable basket tray, steel, coated

### Finish

- Sheet steel adapter, powder-coated, RAL 9006 white aluminum

### Supply schedule

- 2 basket trays, suitable for Knürr Synergy technical pedestal
- 2 adapters for basket tray mounting
- Mounting material

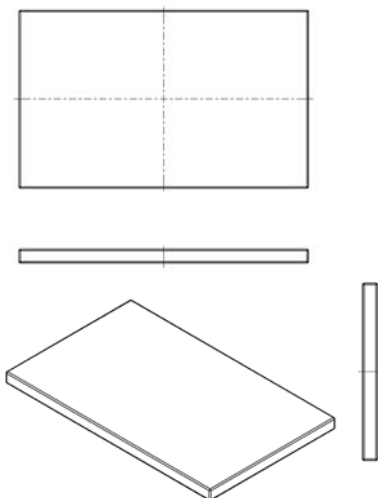
### How supplied

- Flat-packed kit

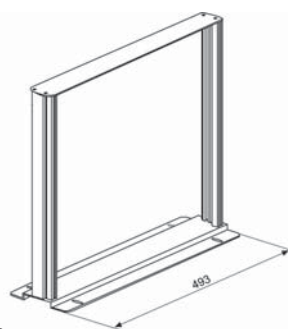
### Dimensions

- Depth: 45 mm
- Height: 53 mm
- Length = Width - 260 mm

Width (W)	Order no. (SLIM)	Order no.	UP
520/633	<b>04.412.800.7</b>	<b>04.412.850.7</b>	1 unit
720/833	<b>04.412.801.7</b>	<b>04.412.851.7</b>	1 unit
920/1033	<b>04.412.802.7</b>	<b>04.412.852.7</b>	1 unit
1120/1233	<b>04.412.803.7</b>	<b>04.412.853.7</b>	1 unit
1320/1433	<b>04.412.804.7</b>	<b>04.412.854.7</b>	1 unit
1520/1633	<b>04.412.805.7</b>	<b>04.412.855.7</b>	1 unit
1720/1833	<b>04.412.806.7</b>	<b>04.412.856.7</b>	1 unit
1920/2033	<b>04.412.807.7</b>	<b>04.412.857.7</b>	1 unit



SYN20108



KON20032



syn20124



SYN20185

Dimensions in mm: W = Width  
H = Height  
D = Depth  
h = Installation height  
d = Usable depth  
L = Length

HEA = electronically height adjustable  
HA = height-adjustable

UP = Unit of packaging  
kg = Weight

Conversion: 1 inch = 25,4 mm

Replace „x“ with the number of your color choice

## Insert Shelf (for technical pedestal)

As computer shelf in the technical pedestal.

**Material**  
19 mm three layer particle board, FP / Y E1 version, fire protection class B2.  
Board coating: Direct coating with pressure laminate.

**Finish**  
.9: Board coating and veneer in RAL 7021 dark gray

**Dimensions**  
Width 400 mm or 600 mm

**Supply schedule**  
1 insert shelf

**How supplied**  
Flat-packed kit

W	H	D		Order no.	UP
400	19	245	For technical pedestal	<b>04.412.007.9</b>	1 unit
600	19	245	For technical pedestal	<b>04.412.008.9</b>	1 unit
400	19	200	For technical pedestal- SLIM	<b>04.412.003.9</b>	1 unit
600	19	200	For technical pedestal - SLIM	<b>04.412.005.9</b>	1 unit

## 19" Frame (for technical pedestal)

- 19" frame for mounting 19" components and mounting panels
- 19" frame fixing on technical pedestal base frame via depth braces, making it depth-adjustable
- Equipment installation on the 19" extrusion via T-slots and spring nuts, making it height-adjustable

**Finish**  
Adapter plate, RAL 9011 graphite black

**Supply schedule**  
1 adapter plate  
1 frame cover  
2 depth braces  
2 19" extrusions

**How supplied**  
Flat-packed kit

**Material**  
Sheet steel 19" adapter plate and frame cover, powder-coated texture  
19" extrusions, extruded aluminum, polished

W	H	HU		Order no.	UP
493	355,6	8		<b>04.412.650.7</b>	1 unit

## 2U 19" KVM Bay for Technical Tray of Worktop

- Mounting frame for an easy installation of 19" elements within the technical tray of the worktop (rearward)

**Supply schedule**  
1 assembly unit  
Mounting material

**Material**  
Sheet steel, powder-coated

**How supplied**  
Kit for self-assembly

**Finish**  
RAL 9006 white aluminum

W	H	HU		Order no.	UP
520	109	2		<b>04.412.657.7</b>	1 unit



SYN20032

## Multifunctional Braces (for technical pedestal)

- For routing cables with cable ties and as universal mounting option in the technical pedestal
- With square and round holes. Holes for mounting caged nuts
- Set of 2 x 417 mm (mounts vertically) and 1 x 427 mm (mounts horizontally)

**Material**  
Sheet steel, zinc-passivated

**Dimensions**  
All 417 mm, width 70 mm

**Supply schedule**  
3 multifunctional braces  
Mounting material

**How supplied**  
Flat-packed kit

H	W	Order no.	UP
417	567	04.415.655.7	1 unit



SYN20033

## Cable Chain

- Spacious, two-way cable chain with separator for separate cable routing
- Can be mounted on the left or right on the technical pedestal and the desk tray
- Also suitable for mounting on the rear perforation panel for desks

**Material**  
Plastic

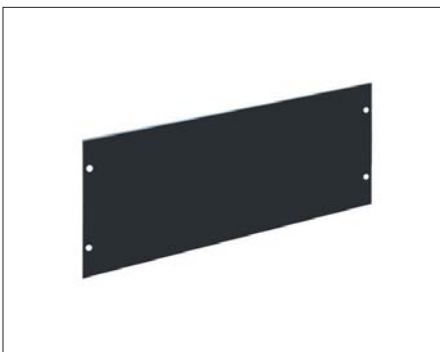
**Finish**  
Black

**Dimensions**  
Width, 115 mm; depth, 50 mm,  
length, approx. 940 mm

**Supply schedule**  
1 cable chain  
Mounting material

**How supplied**  
Flat-packed kit

W	H	L	Order no.	UP
115	50	ca. 940	04.412.009.9	1 unit



FRO00005

## 2U Front panel

- For coverage of the 2U openings in the front of the console cable trough

**Material**  
Aluminium

**Finish**  
RAL7021 dark grey

**Supply schedule**  
1x 19" front panel

**How supplied**  
Piece

**Note**  
Please also order suitable mounting material

H	Order no.	UP
2 U	02.008.022.8	1 unit

## INFO

Mobile drawer units can be found in our catalog "Knürr cabinets and mobile drawer units"!

Dimensions in mm: W = Width  
H = Height  
D = Depth  
h = Installation height  
d = Usable depth  
L = Length

HEA = electronically height adjustable  
HA = height-adjustable

UP = Unit of packaging  
kg = Weight

Conversion: 1 inch = 25,4 mm  
Replace „x“ with the number of your color choice





SYN20039



SYN20186



SYN20049



SYN20187



SYN20188

## Perforated Rear Panel for SynergyConsole

- As modesty panel
- Ideal for all Knürr Synergy desk types
- Increases lateral rigidity
- With fixing option for cable chain, left and right

**Material**  
Sheet steel, powder-coated

**Finish**  
.9: RAL 9006 white aluminum

**Dimensions**  
Height: 417 mm  
Perforation diameter – 25 mm

**Supply schedule**  
1 perforated rear panel  
Mounting material

**How supplied**  
Flat-packed kit

For width (W)	Order no.	UP
520/633	04.415.810.9	1 unit
720/833	04.415.811.9	1 unit
920/1033	04.415.812.9	1 unit
1120/1233	04.415.813.9	1 unit
1320/1433	04.415.814.9	1 unit
1520/1633	04.415.815.9	1 unit
1720/1833	04.415.816.9	1 unit
1920/2033	04.415.817.9	1 unit

## Perforated rear panel for SynergyConsole Corner Piece

- As modesty panel
- Screwed with the support foot serves as cross-reinforcing

**Material**  
Sheet steel, powder-coated

**Finish**  
.9: RAL 9006 white aluminum

**Dimensions**  
Height: 417 mm  
Perforation diameter – 25 mm

**Supply schedule**  
1 perforated rear panel  
Mounting material

**How supplied**  
Flat-packed kit

	Order no.	UP
for Corner Piece 15°	04.415.910.9	1 unit
for Corner Piece 30°	04.415.920.9	1 unit
for Corner Piece 45°	04.415.930.9	1 unit
for Corner Piece 60°	04.415.940.9	1 unit
for Corner Piece 90° (diagonal back)	04.415.950.9	1 unit
Trapezoid Corner (diagonal back)	04.415.960.9	1 unit

## Covers Set (4 pieces)

- Closing caps for cable openings on the side parts and on the monitor level
- 4x protective cap, round, 80 mm diameter

**Material/Finish**  
Plastics, black

**Supply Schedule**  
4 cover caps

**How supplied**  
Set

W	H	L	Order no.	UP
			04.412.190.9	1 set



SYN20177

## Knürr Synergy 4D

### Ergonomics in 4 dimensions

- **1D:** 650 mm to 1250 desk height, stepless
- **2D:** worktop depth adjustable up to 150 mm providing the perfect viewing distance and individual leg space
- **3D:** 300 mm height-adjustment of monitors
- **4D:** patented pivot range up to 35° for monitors, infinitely variable without an additional motor

### Perfect view of the video wall

- Ideal viewing angles are ensured by single button height & angle control. Our lifting mechanisms are maintenance-free
- Operators can individually adjust viewing distances to displays with the integrated power controls
- As an added safety feature, monitor cabling is housed in protective channels at all times

### Ideal Integration of Devices

- Cable exits in both desk side panels and the rear of the console.

Integrated 19"-Rack: 2 x 4U pedestal below the lowered monitor level

- Offers plenty of space for cabling, switches and individual devices
- Short cable ways provide the best signal quality! Cleverly concealed cable raceways with integrated cable 'guiding chains' in the desk side panels and footrest ensure easy access and protection for cables

### Ergonomically shaped height- and depth-adjustable worktop

- Synergy's ergonomically designed desktop provides ideal viewing angles for displays, while our ErgoEdge\* desktop material provides a pleasant surface temperature and long console service life
- Grip recess under the worktop for more user convenience
- Future-proof, optional overhead lighting, technical pedestal or accessories on request

\*ergonomic front edge



SYN20190

Dimensions in mm: W = Width  
H = Height  
D = Depth  
h = Installation height  
d = Usable depth  
L = Length

HEA = electronically height adjustable  
HA = height-adjustable

UP = Unit of packaging  
kg = Weight

Conversion: 1 inch = 25,4 mm  
Replace „x“ with the number of your color choice



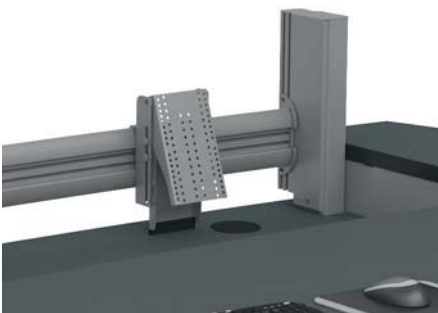
SYN20201

Shown with accessories incurring an additional charge



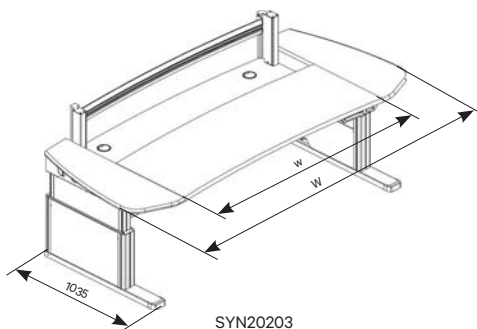
SYN20189

Shown with accessories incurring an additional charge

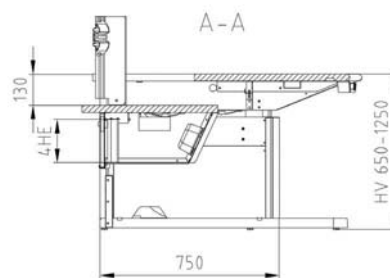


SYN20202

Pivot-mount



SYN20203



SYN20204

## Knürr Synergy 4D For 3 or 4 monitors

- EU version – 230V, 50/60Hz power connection
- Synergy 4D console for 3 monitors 24"
- Synergy 4D console for 4 monitors 24"
- Width Monitor Bay: 1855 resp. 2270mm

### Material

- Vertical column of side parts made of aluminum profile, powder-coated
- Covers, foot stabilizer, worktop stabilizers and desk trays made of sheet steel, powder-coated
- Plastic impact protection caps
- Worktop: 30 mm three-layer chipboard FP/Y E1, fire protection class B2
- Worktop coating: high-pressure laminate
- PVC ErgoEdge front edge

### Finish

- Base Frame**
- vertical profile of side parts, desk tray and worktop stabilizers: RAL 9006 white aluminum
  - covers, foot stabilizers and foot caps: RAL 7021 dark grey
- Worktops**
- .1: worktop coating in RAL 7035 light grey, ErgoEdge impact edge and edge banding in RAL 7021 dark grey
  - .9: worktop coating in basalt grey, ErgoEdge impact edge and edge banding in RAL 7021 dark grey
- Replace "x" with the number of your color choice

### Load Rating

- 1200N (static surface load)
- Monitor rail: 800N

### Supply Schedule

- 1x worktop, depth-adjustable
  - 2x fixed side-worktops
  - 1x worktop for monitor level
  - 3x or 4x tilting adapter for desk monitors
  - 1x base frame with cable guide, depth- and lift mechanism – 1 control panel for the mechanism
  - 1x monitor rail circular, electronically height adjustable by 300 mm
  - 1x technical pedestal, height 4HU over the entire width, can be closed with 2 perforated rear covers
  - 1x perforated rear panel on the bottom area
  - 2x sets of cover caps for worktop stabilizers
- Dimensions:**
- desk width: 2640 mm (3 Monitors), desk width: 3216 mm (4 monitors), desk depth 1200 mm to 1350 mm, desk height 650 mm to 1250 mm

### How supplied

Completely assembled

W	w	Type	Order no.	UP
2640	1855	Synergy 4D, EU, 3 monitors	<b>04.411.350.9</b>	1 unit
3216	2270	Synergy 4D, EU, 4 monitors	<b>04.411.352.9</b>	1 unit



SYN20168



SYN20191

## Knürr SynergyWall® Strong points

- **Functionality and style:** A product family for uniform equipment and furnishing in the control room in a full-coverage modern design
- **Spacious cable management** with plenty of space for switches, cables and power supplies. Completely covered from screen through to raised floor
- **Modular setup** – industrially produced modules can be upgraded and added to at all times; available to buy for many years to come. Electrically height adjustable version, that moves synchronously with coupled Synergy 4D Consoles available.
- **Application areas for the Knürr SynergyWall®**
  - TV studios, news studios
  - Process display in control rooms, control and measuring stations
  - Network Operation Centers (NOC)
  - Data centers – computer monitoring
  - Operation control centers – police, fire department, rescue services
- Municipal traffic monitoring
- Security systems, video monitoring
- Airport and train station information terminals
- Reception areas

### ■ Practical benefits

- Quick and easy to set up
- Telescopic Monitor Mount for safe and comfortable installation of monitors
- Precisely adjustable in all dimensions
- Highest possible stability, even with large span widths
- Low installation depth/lower space requirement – good fit for small control rooms
- Option: Without stabilizer foot at the rear
- The monitor wall can be positioned in the room, regardless of what the room is made of
- Optional rear and front panel covers provide optimum protection for cables and plugs
- Optional pedestals provide space for computers, power supplies and documentation

## INFO

We also offer LCD-screens for 24/7 use in control rooms as well as professional video control hard- and software in corporation with our well known partners. **Please let us know your requirements!**

Dimensions in mm: W = Width  
H = Height  
D = Depth  
h = Installation height  
d = Usable depth  
L = Length

HEA = electronically height adjustable  
HA = height-adjustable

UP = Unit of packaging  
kg = Weight

Conversion: 1 inch = 25,4 mm

Replace „x“ with the number of your color choice





SYN20193



SYN20192

## Knürr SynergyWall® Basic Frame 4x 44" to 4x 65"

- Easy flat screen mounting between the monitor wall vertical extrusions
- Monitors are securely fixed to telescopic mounts

### Material

- Side panels – extruded aluminum with top cover, sheet steel side panel covers and stabilizer feet, powder-coated
- Crosspieces – extruded aluminum, powder-coated
- Monitor brackets: sheet steel, powder-coated

### Finish

- Side panel aluminum extrusions, cross extrusions: RAL 9006 white aluminum
- Side panel covers, stabilizer feet and large monitor holder: RAL 7021 dark gray
- Monitor brackets: black

### Dimensions

Total width – 2630 mm  
Clear width – 2346 mm  
Side panel: height, 2400 mm;  
depth, 290 mm, width, 107 mm

### Note

Further sizes and variations possible on request

### Supply schedule

2 side panels, with integrated vertical cable routing and stabilizer feet front and rear for highest possible stability  
4 crossbars for telescopic mounts, integrated horizontal cable guide  
4 telescopic monitor mounts, monitors from 44" resp. 550mm height up to VESA 600x400  
Mounting material

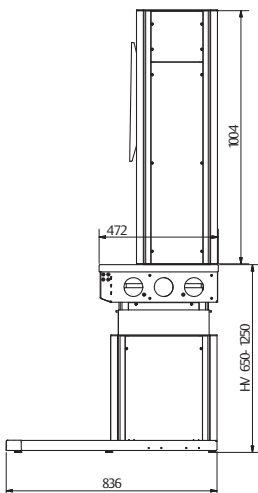
### How supplied

Flat-packed kit, partially assembled

W	H		Order no.	UP
2630	2400	SynergyWall Basic Frame with 4x telescopic mounts	04.102.052.9	1 unit



SYN20194



## Knürr SynergyWall® Height-adjustable Monitor Wall Single Screen (W1200) or Dual Screen (W2000)

- Monitor wall based on Synergy Advanced, electronically height-adjustable
- Height range of 600 mm
- Holds one monitor with max. VESA 800x400, 140kg/290lbs (Single) or
- Holds two monitors 42-65", VESA 400x400 and max 140kg/310lbs in total (Dual)
- Stand-alone operation or moving synchronously with coupled Synergy 4D console
- Desk tray underneath the worktop offers room for socket strips and switches
- Room for cables and socket strips on the upper side parts, detachable covers
- SynergyWall, electronically connected to desk height to guarantee a perfect view of the monitor wall while sitting or standing

### Material

- Vertical columns of side parts made of aluminum profile, powder-coated
- Covers, foot stabilizers, worktop stabilizers and desk tray made of sheet steel, powder-coated
- Plastic impact protection caps
- Worktop coating: high-pressure laminate

### Finish

- Base Frame
- Vertical profiles of side parts, desk tray and worktop stabilizer: RAL 9006 with aluminum
- Covers, foot stabilizers and foot caps: RAL 7021 dark gray

### Worktops:

- .1: worktop coating in RAL 7035 light grey, ErgoEdge impact edge and edge banding in RAL 7021 dark grey
  - .9: worktop coating in basalt grey, ErgoEdge impact edge and edge banding in RAL 7021 dark grey
- Replace "x" with the number of your color choice. Please also ask for custom surfaces

### Load Rating

1400N

### Supply schedule

- 1x Synergy Advanced frame with worktop, electrically height-adjustable
  - 2x SynergyWall side parts, mounted onto worktop
  - 1x crossbar with bracket for 1x monitor W1200 (or 2x monitors W2000)
  - 1x Technical compartment with cable chain
  - 2x sets of cover caps for worktop stabilizers (for desk and monitor wall)
- Dimensions:
- Desk width: 1233mm, desk depth 400mm
  - Desk height: 650 mm to 1250 mm
  - Total height: 1800 mm to 2300 mm

### How supplied

Pre-assembled sets

Type	Order no.	UP
SynergyWall HV B1200 for 1 Monitor max. VESA 600x400	04.414.350.x	1 unit
SynergyWall HV B2000 for 2 monitors 46" - 65", max. 140kg/310lbs in total	04.414.352.x	1 unit





## Knürr SynergyWall® Side Panel

- Design harmonized with Knürr SynergyConsole®
- Spacious cable management with plenty of space for switches, cables and power supplies
- Economically integrated cable routing
- Split covers inside for easy cable routing; full on the outside
- Long stabilizer foot for freely placing the panel in the room, or without stabilizer foot at the rear for wall positioning
- T-slots outside for connecting cross supports and inside for mounting Knürr DI-Strip® socket strips and cable routing elements

### Material

- Extruded aluminum, powder-coated
- Covers and stabilizer foot: Sheet steel, powder-coated

### Finish

- Extruded aluminum, RAL 9006 white aluminum
- Sheet steel components, RAL 7021 dark gray

### Dimensions

- Height, 2400 mm
- Width, 113 mm (with plastic protective caps)
- Depth, 321 mm
- Stabilizer foot: Depth 1200 mm or 600 mm
- Width, 129 mm

### Supply schedule

- 1 side panel

### How supplied

- Preassembled

W	H		Order no.	UP
113	2400	side panel	<b>04.102.035.9</b>	1 unit
113	2400	stabilizer foot, short	<b>04.102.036.9</b>	1 unit
113	2400	middle side panel	<b>04.102.037.9</b>	1 unit



SYN20196

## Knürr SynergyWall® Cross Support

- For straight linking or in 10° angle
- Extruded aluminum stable cross support
- Depth-adjustable for optimum monitor arrangement
- Spacious cable management with plenty of space for switches, cables and power supplies
- Economical cable routing integrated in the cross support
- With T-slots for mounting Knürr DI-STRIP® socket strips and cable routing elements
- Internal or external on the side panels, and depth adjustable

### Thin Client Fixing Bracket

- Mounted on the back of the Knürr monitor rails for short cable routing
- Eyelets for optional retaining cords (not included in delivery)

### Material

- Cross extrusion: Extruded aluminum, powder-coated
- Adapter plates – aluminum, powder-coated

### Finish

- RAL 9006 white aluminum

### Material/Finish (Thin Client Fixing Bracket)

- Sheet steel, powder-coated
- RAL 9006 white aluminum

### Dimensions

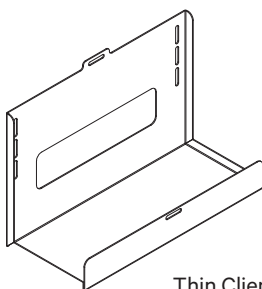
- Height: 110 mm
- External depth: 50 mm
- Width: 2400 mm

### Supply schedule

- 1 cross extrusion
- 2 adapter plates for connecting on the side panels
- Mounting material

### How supplied

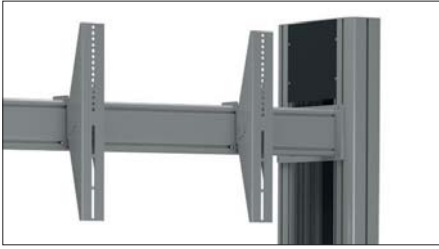
- Flat-packed kit



SYN20200

Thin Client

W	H	D		Order no.	UP
2400	110	50	Complete cross support, straight	<b>04.102.045.9</b>	1 unit
2400	110	50	Complete cross support, 10° linking	<b>04.102.046.9</b>	1 unit
345	234	150	Thin Client Fixing Bracket	<b>04.412.195.8</b>	1 unit



SYN20197



SYN20209

## Knürr SynergyWall® Monitor Holder

- VESA adapter, quick and easy to hang on
- With safety screws against unintentional removal
- Angle stepless adjustable from +/- 15°

**Material/finish**  
Sheet steel, powder-coated

**Finish**  
RAL 9006 white aluminum

**Supply schedule**  
2 monitor holders  
Mounting material

**How supplied**  
Pre-assembled

**Note**  
For monitors up to VESA 800x400, 70kg

	Order no.	UP
Large monitor holder	04.102.048.9	1 pair



SYN20198



SYN20199

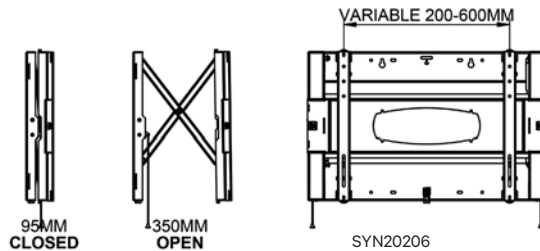
## Knürr SynergyWall® Pop Out Videowall Mount

- Videowall mount for displays from 44", up to 45kg weight
- Suitable for displays with VESA 200 up to VESA 600 x 400
- Simple push to pull pop out function
- Fully adjustable arms for easy display alignment
- Hand wheels assure fast tool less adjustment of display
- Adjustable spring tension for touch or narrow bezel applications
- Only 95mm deep

**Finish**  
Powder-coated, black

**Supply schedule**  
1x unit

	Order no.	UP
Pop Out Videowall Mount	04.102.068.9	1 unit



Dimensions in mm: W = Width  
H = Height  
D = Depth  
h = Installation height  
d = Usable depth  
L = Length

HEA = electronically height adjustable  
HA = height-adjustable

UP = Unit of packaging  
kg = Weight

Conversion: 1 inch = 25,4 mm

Replace „x“ with the number of your color choice

## Ergonomically designed products and solutions from a single source

The **Knürr Technical Furniture** manufactures and develops workstations for electronics labs and mobile equipment carriers for healthcare and automotive industries. Furthermore Knürr Technical Furniture is the specialist for height adjustable control room workstations.

Learn more about Knürr Technical Furniture products and services at **[www.technical-furniture.com](http://www.technical-furniture.com)**

### **Knürr Technical Furniture is a Vertiv Co. Company**

#### **Knürr Technical Furniture GmbH**

Mariakirchener Straße 38  
94424 Arnstorf  
Germany  
T +49 8723 28 0  
F +49 8723 28 138  
[furniture@knuerr.com](mailto:furniture@knuerr.com)  
[www.technical-furniture.com](http://www.technical-furniture.com)

#### **Vertiv™**

Global Headquarters  
1050 Dearborn Drive  
P.O. Box 29186  
Columbus, OH 43229, USA  
T +1 614 8880246  
[www.vertivco.com](http://www.vertivco.com)

While every precaution has been taken to ensure accuracy and completeness herein, Knürr Technical Furniture and Vertiv Co assumes no responsibility, and disclaims all liability, for damages resulting from use of this information or for any errors or omissions. Specifications subject to change without notice.

Knürr and the Knürr logo, are trademarks and service marks of Vertiv Co. or one of its affiliated companies. ©2016 Vertiv Co. All rights reserved.